

## Notes:

1. Maximum Electric Current: 18A
2. Maximum Electric Rating: 105°C 600 Volts Max
3. Insulation Material: Nylon
4. Insulation Color: Yellow
5. Terminal Material: Copper
6. Wire Range: 18x2 AWG (1.00mm<sup>2</sup>)

### Standard (Metric)

L1: 0.67 (17.1mm)  
L2: 0.39 (10.0mm)  
D1: 0.08 (2.0mm)  
D2: 0.22 (5.5mm)  
E: 0.13 (3.3mm)

### Tolerances

(Unless Otherwise Specified)

**CATEGORY**

Insulated Twin  
Wire Ferrule

**SCALE**

4/1

**PART #**

TW10010

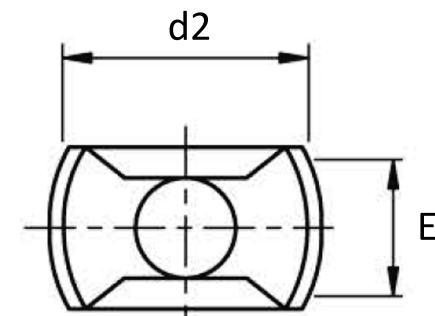
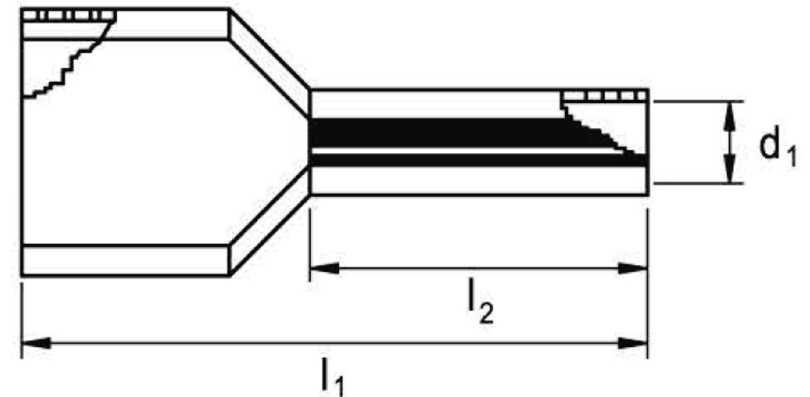
**SHEET**

1-1

**MATERIAL**

Tin-Plated Copper

**PAGE**



**FerrulesDirect**

