

Notes:

1. Maximum Electric Current: 17A
2. Maximum Electric Rating: 105°C 600 Volts Max
3. Insulation Material: Nylon
4. Insulation Color: White
5. Terminal Material: Copper
6. Wire Range: 20x2 AWG (0.75mm²)

Standard (Metric)

L1: 0.58 (14.7mm)
L2: 0.32 (8.0mm)
D1: 0.07 (1.7mm)
D2: 0.21 (5.4mm)
E: 0.12 (3.0mm)

Tolerances

(Unless Otherwise Specified)

CATEGORY

Insulated Twin
Wire Ferrule

SCALE

4/1

PART #

TW07508

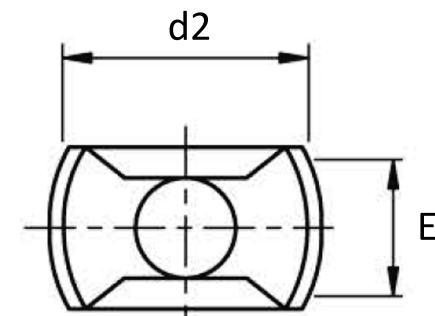
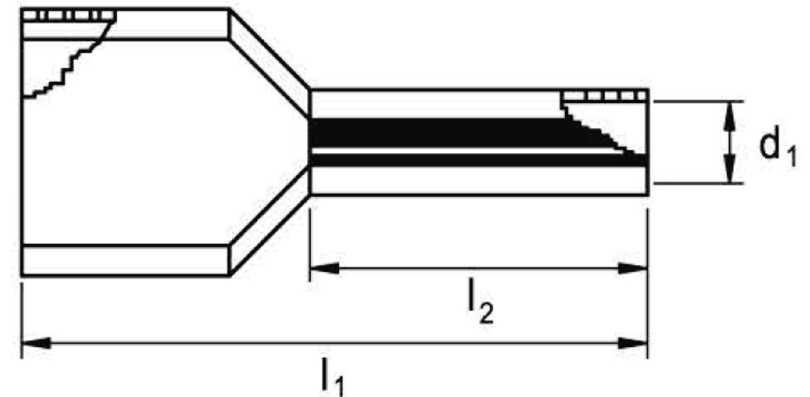
SHEET

1-1

MATERIAL

Tin-Plated Copper

PAGE



FerrulesDirect

