

Notes:

1. Maximum Electric Current: 30A
2. Maximum Electric Rating: 105°C 600 Volts Max
3. Insulation Material: Nylon
4. Insulation Color: Gray
5. Terminal Material: Copper
6. Wire Range: 14x2 AWG (2.50mm²)

Standard (Metric)

L1: 0.73 (18.5mm)
 L2: 0.39 (10.0mm)
 D1: 0.11 (2.9mm)
 D2: 0.31 (7.8mm)
 E: 0.17 (4.4mm)

Tolerances

(Unless Otherwise Specified)

CATEGORY

Insulated Twin
Wire Ferrule

SCALE

4/1

PART #

TT25010

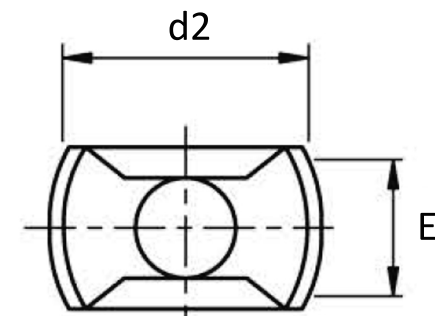
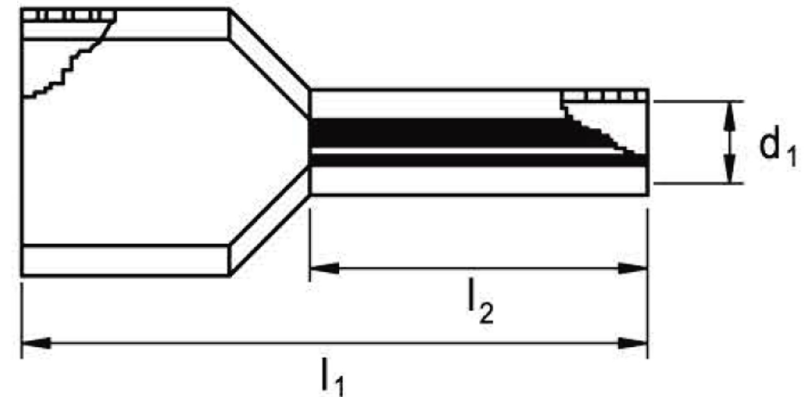
SHEET

1-1

MATERIAL

Tin-Plated Copper

PAGE



FerrulesDirect

