

## Notes:

1. Maximum Electric Current: 18A
2. Maximum Electric Rating: 105°C 600 Volts Max
3. Insulation Material: Nylon
4. Insulation Color: Black
5. Terminal Material: Copper
6. Wire Range: 16x2 AWG (1.50mm<sup>2</sup>)

### Standard (Metric)

L1: 0.61 (15.5mm)  
 L2: 0.32 (8.0mm)  
 D1: 0.09 (2.2mm)  
 D2: 0.24 (6.2mm)  
 E: 0.14 (3.6mm)

### Tolerances

(Unless Otherwise Specified)

**CATEGORY**

Insulated Twin  
Wire Ferrule

**SCALE**

4/1

**PART #**

TD15008

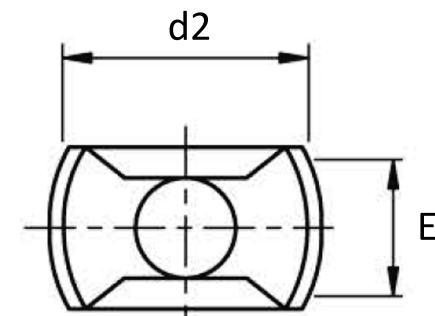
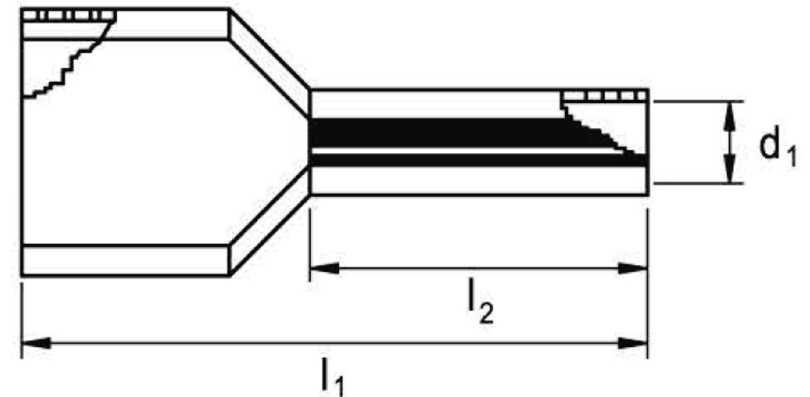
**SHEET**

1-1

**MATERIAL**

Tin-Plated Copper

**PAGE**



**FerrulesDirect**

