

**Notes:**

- Maximum Electric Current: 

AWG	16	14	
AMP	18	30	
- Maximum Electric Rating: 105°C 600 Volts Max
- Insulation Material: Vinyl
- Insulation Color: Blue
- Terminal Material: Copper
- Wire Range: 16-14 AWG (1.5-2.5mm<sup>2</sup>)
- Terminal Surface Treatment: Tin Plated
- Terminal Thickness: 0.80mm

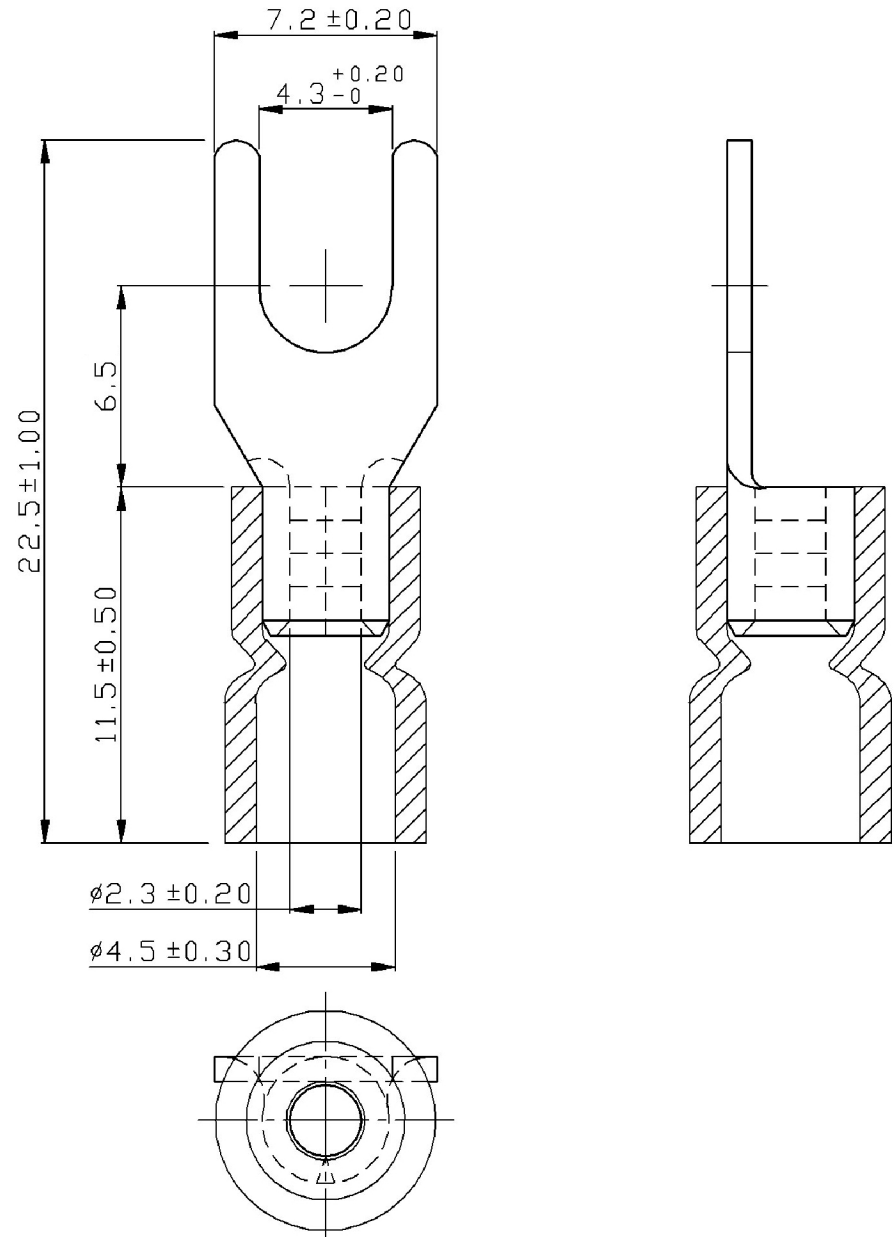
**Standard (Metric)**

- 0.89" (22.5mm)
- 0.26" (6.5mm)
- 0.45" (11.5mm)
- 0.28" (7.2mm)
- 0.17" (4.3mm)
- 0.09" (2.3mm)
- 0.18" (4.5mm)

**Tolerances**

(Unless Otherwise Specified)

<b>CATEGORY</b>	Vinyl Insulated Fork Terminals	<b>SCALE</b>	4/1
<b>PART #</b>	SVEM2-4	<b>SHEET</b>	1-3
<b>MATERIAL</b>	Tin-Plated Copper	<b>PAGE</b>	10F2



**FerrulesDirect**