

Notes:

1. Maximum Electric Current:

AWG	12	10	
AMP	35	50	
2. Maximum Electric Rating: 105°C 600 Volts Max
3. Insulation Material: Vinyl
4. Insulation Color: Yellow
5. Terminal Material: Copper
6. Wire Range: 12-10 AWG (4-6mm²)
7. Terminal Surface Treatment: Tin Plated
8. Terminal Thickness: 1.00mm

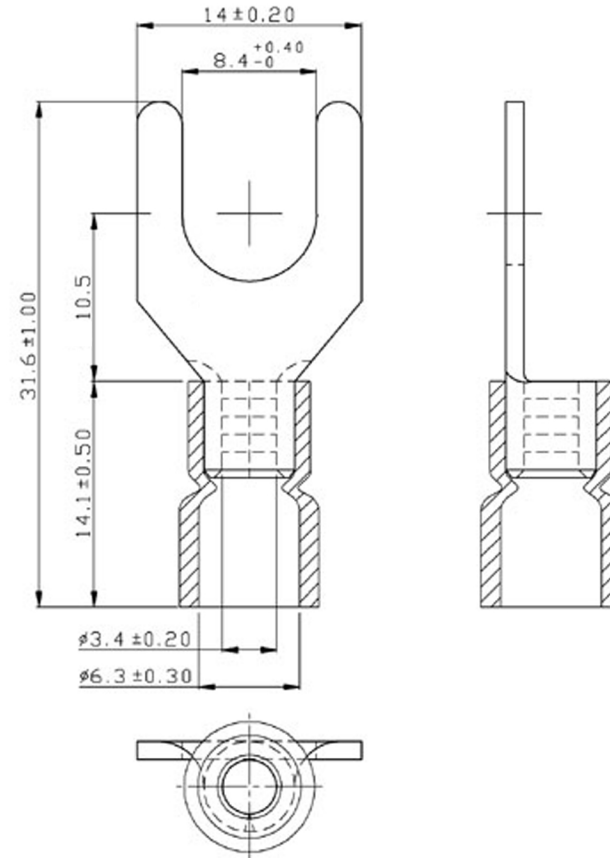
Standard (Metric)

- 1.24" (31.6mm)
- 0.41" (10.5mm)
- 0.56" (14.1mm)
- 0.55" (14mm)
- 0.33" (8.4mm)
- 0.13" (3.4mm)
- 0.25" (6.3mm)

Tolerances

(Unless Otherwise Specified)

CATEGORY	Vinyl Insulated Fork Terminals	SCALE	3/1
PART #	SVE5-8	SHEET	1-3
MATERIAL	Tin-Plated Copper	PAGE	10F2



FerrulesDirect