

## Notes:

1. Maximum Amp Rating: 70 AMP
2. Maximum Voltage Rating: 35 KV
3. Color: Red
4. Terminal Material: Copper
5. Wire Size: 8 AWG
6. Stud Size: 3/8" Stud
7. Surface Treatment: Tin Plating

### Metric (Standard)

L: 62.3mm (2.45")  
 L1: 46.5mm (1.83")  
 L2: 25.4mm (1.00")  
 D: 15.2mm (0.60")  
 D1: 7.1mm (0.28")  
 D2: 4.8mm (0.19")  
 B: 12.7mm (0.50")  
 E: 10.4mm (0.41")  
 F: 1.39mm (0.05")

### Tolerances

(Unless Otherwise Specified)

Up to +/-5%

### CATEGORY

Two Hole Short Barrel  
 Compression Lugs

### SCALE

4/1

### PART #

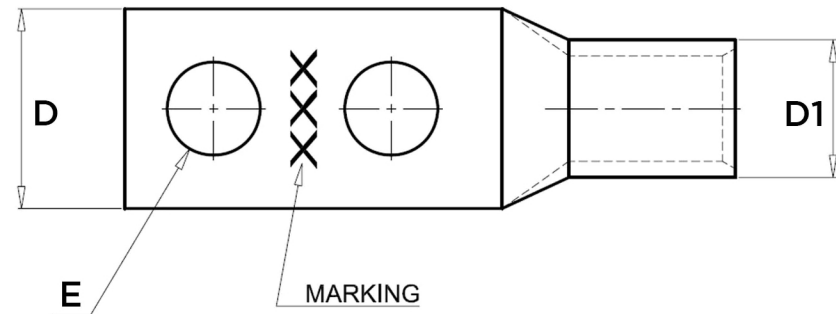
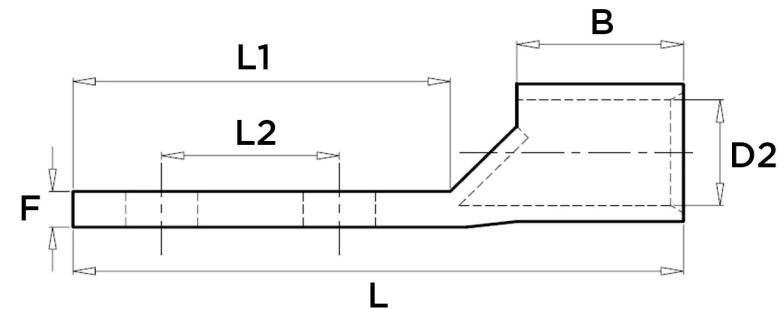
ST838

### SHEET

### MATERIAL

Tin-Plated Copper

### PAGE



FerrulesDirect

