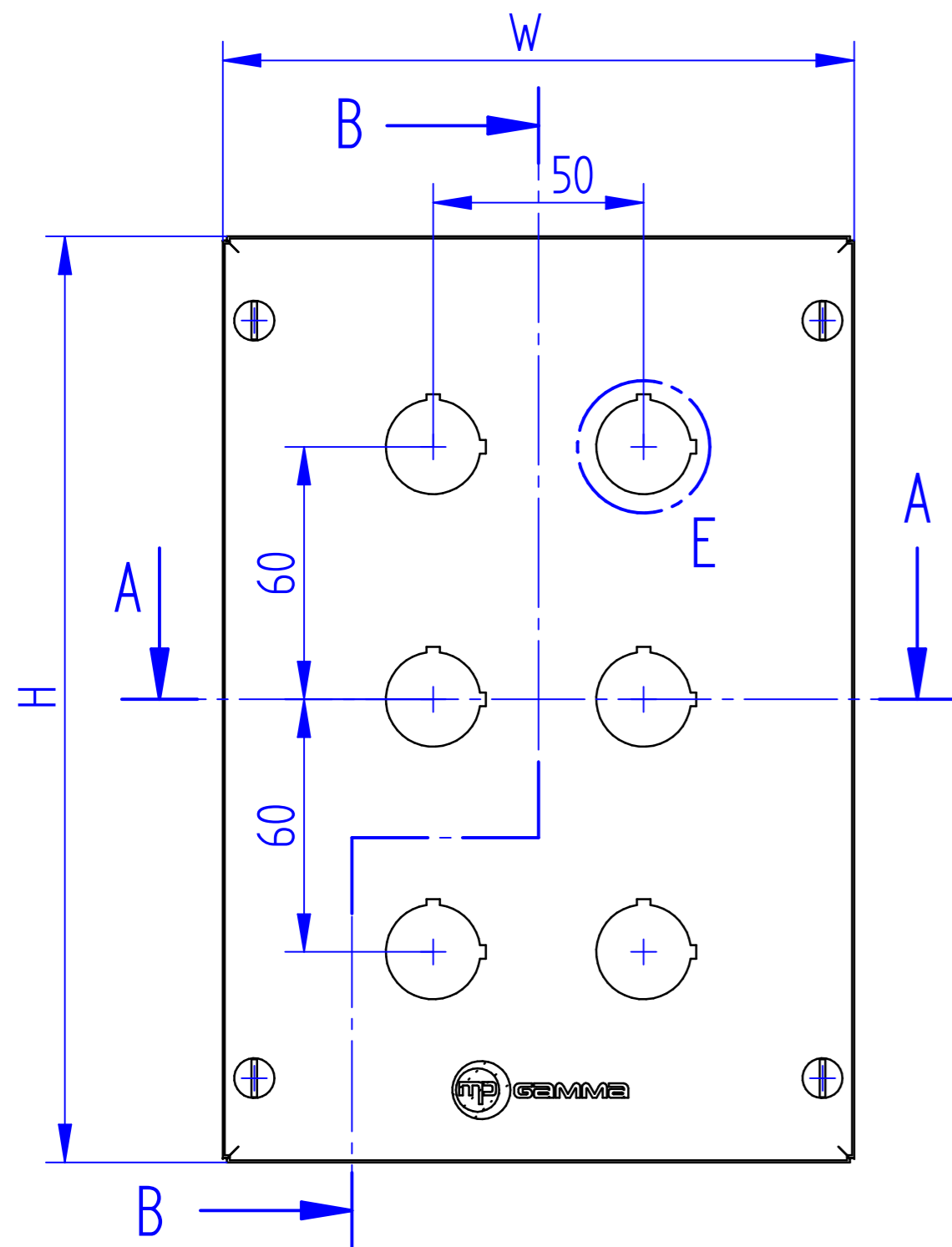
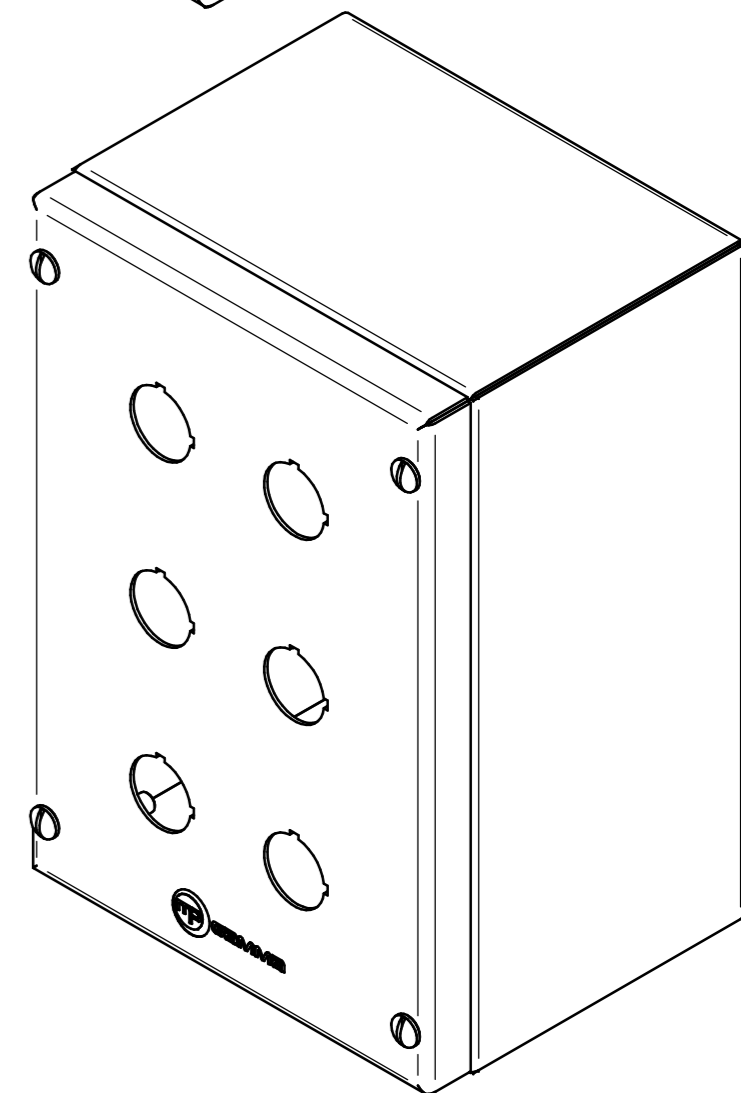
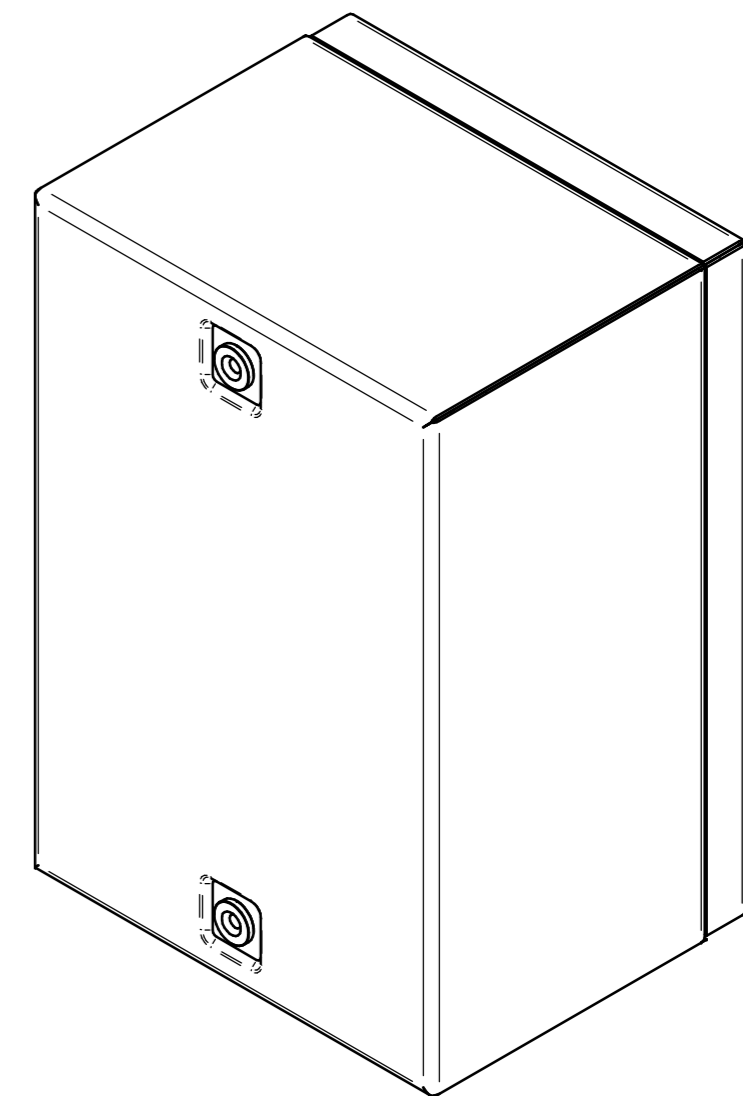
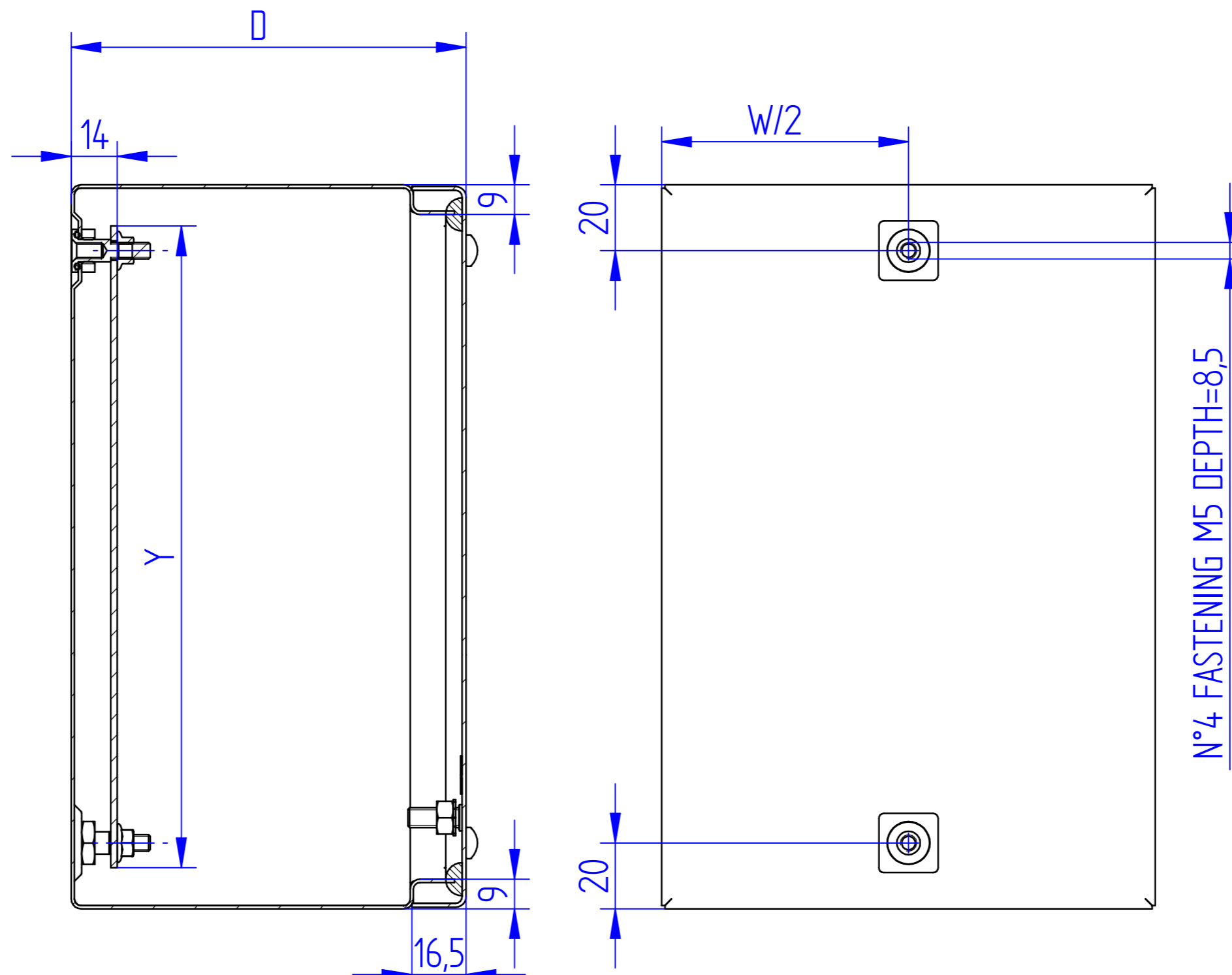


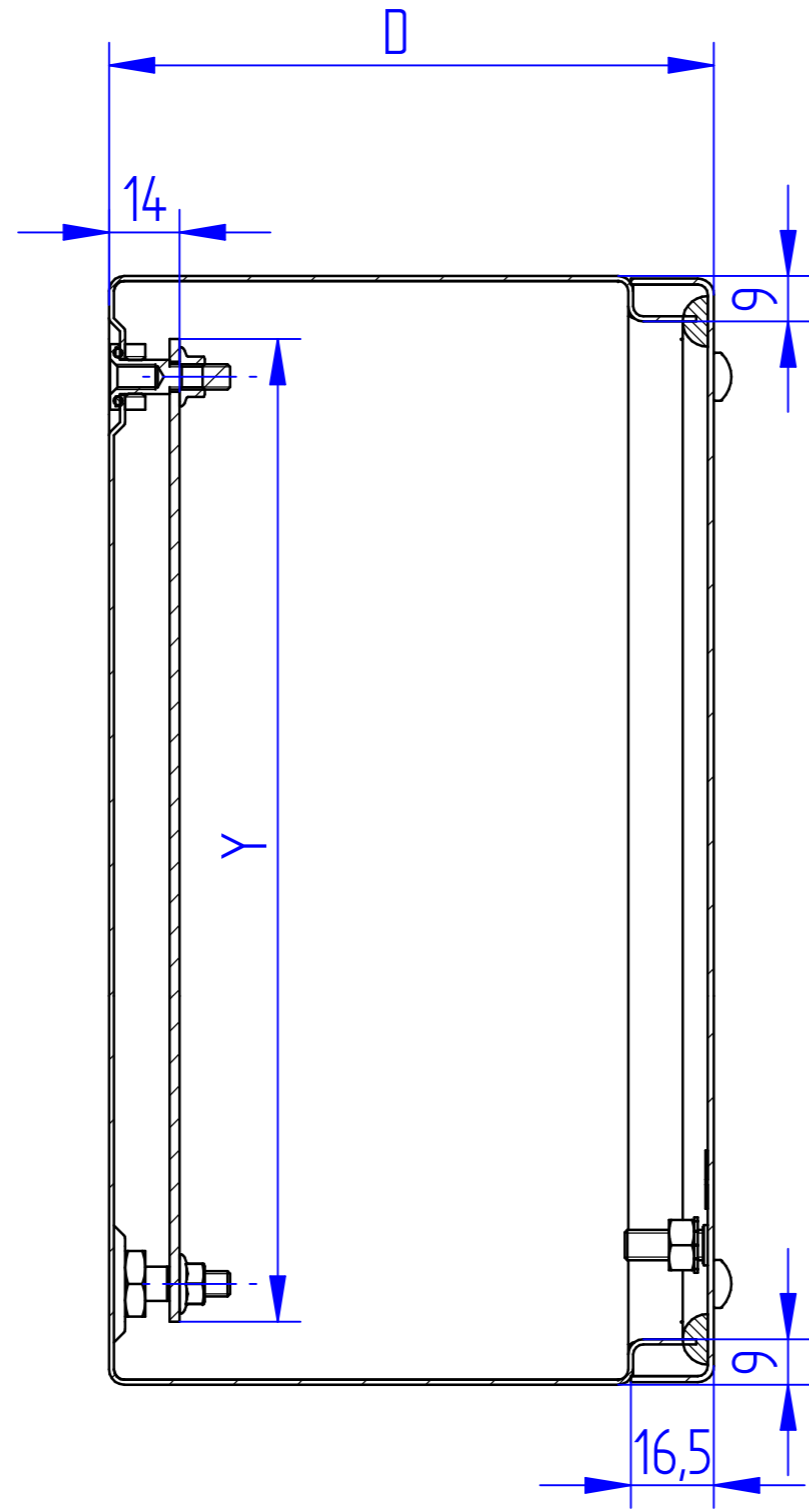
FRONT VIEW



REAR VIEW

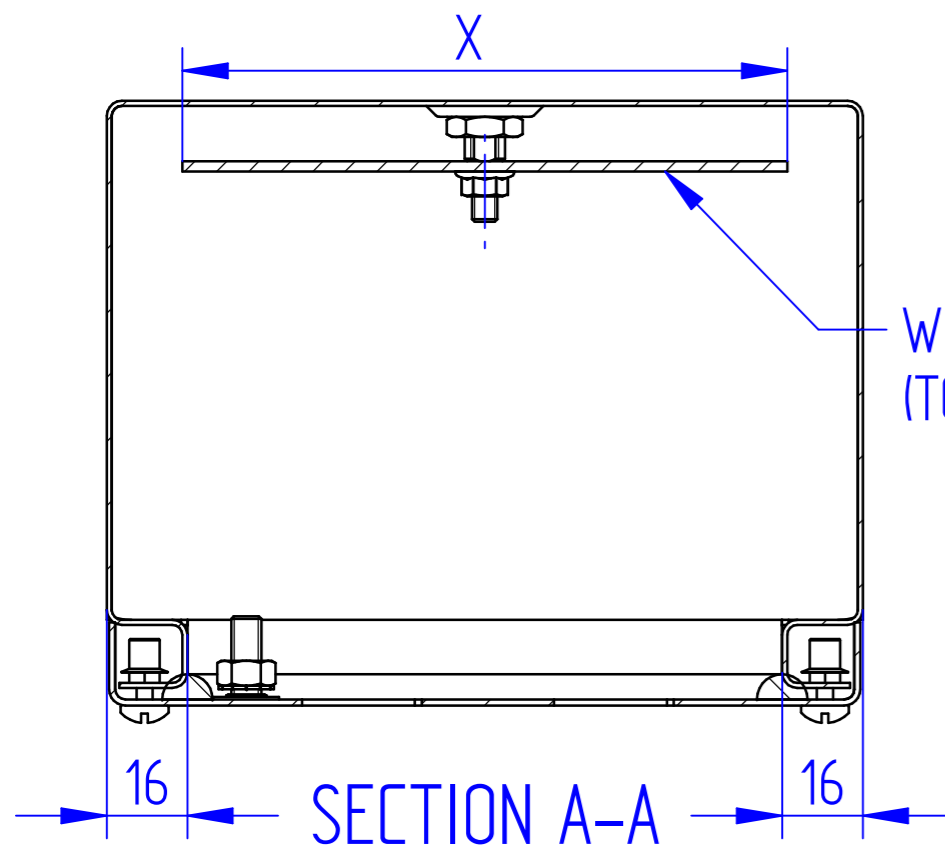


SECTION B-B

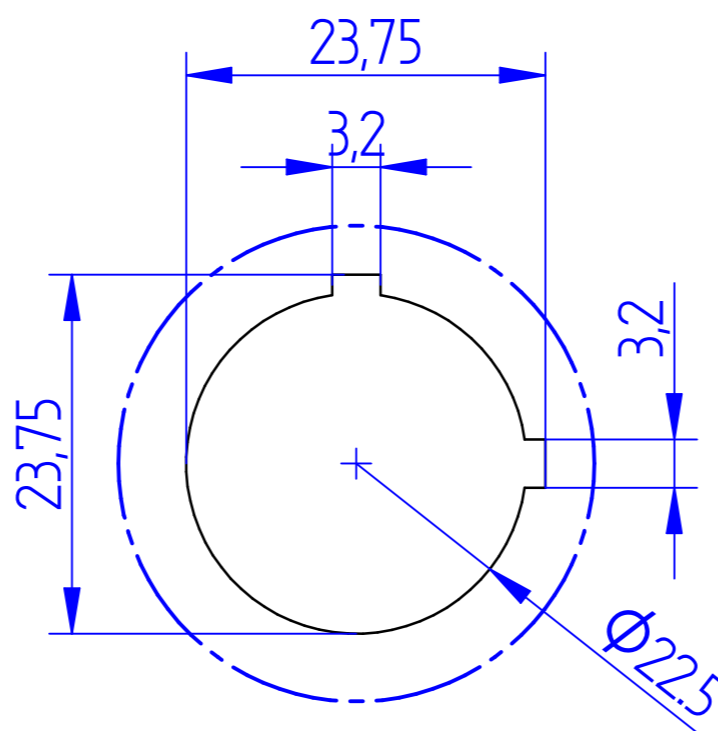


N°4 FASTENING M5 DEPTH=8,5

WIRING PLATE
(TO ORDER SEPARATELY)



DETAIL E



ITEM CODE	EXTERNAL DIMENSIONS			WIRING PLATE		FEATURES		
	W	H	D	X	Y	N. CLOSING POINTS	N. FIXING POINTS	N. HOLES
SPN997	90	90	75	-	-	2	2	1
SPN10109	100	100	90	-	-	4	2	1
SPN10169	100	160	90	70	135	4	2	2
SPN10229	100	220	90	70	195	4	2	3
SPN151612	150	160	120	120	135	4	2	4
SPN152212	150	220	120	120	195	4	2	6

Description		PUSH BUTTON PANELS SPN SERIES		 MPGAMMA VALORE INMOVIBILE
 Technical data sheet code SCTEC.SPN.ENG	Issue Date 06/05/2015 01	Sheet 1/1		