

Notes:

- Maximum Electric Current:

AWG	16	14		
AMP	18	30		
- Maximum Electric Rating: 105°C 600 Volts Max
- Insulation Material: Nylon
- Insulation Color: Blue
- Terminal Material: Copper
- Wire Range: 16-14 AWG (1.5-2.5mm²)
- Terminal Surface Treatment: Tin Plated
- Terminal Thickness: 0.80mm

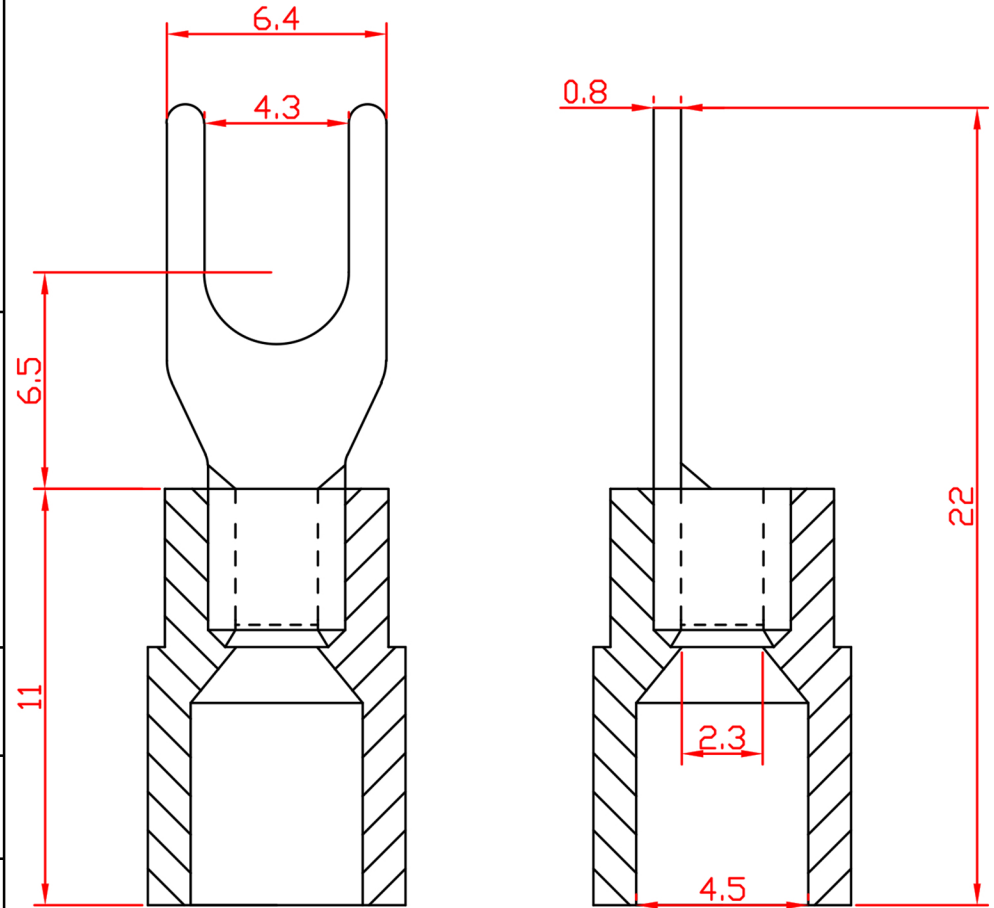
Standard (Metric)

- 0.87" (22mm)
- 0.43" (11mm)
- 0.26" (6.5mm)
- 0.25" (6.4mm)
- 0.17" (4.3mm)
- 0.09" (2.3mm)
- 0.18" (4.5mm)

Tolerances

(Unless Otherwise Specified)

CATEGORY	Nylon Insulated Fork Terminals	SCALE	4/1
PART #	SNYBS2-4	SHEET	1-0
MATERIAL	Tin-Plated Copper	PAGE	10F1



FerrulesDirect