

Notes:

1. Maximum Electric Current:

AWG	12	10		
AMP	35	50		
2. Maximum Electric Rating: 105°C 600 Volts Max
3. Insulation Material: Nylon
4. Insulation Color: Yellow
5. Terminal Material: Copper
6. Wire Range: 12-10 AWG (4-6mm²)
7. Terminal Surface Treatment: Tin Plated
8. Terminal Thickness: 1.00mm

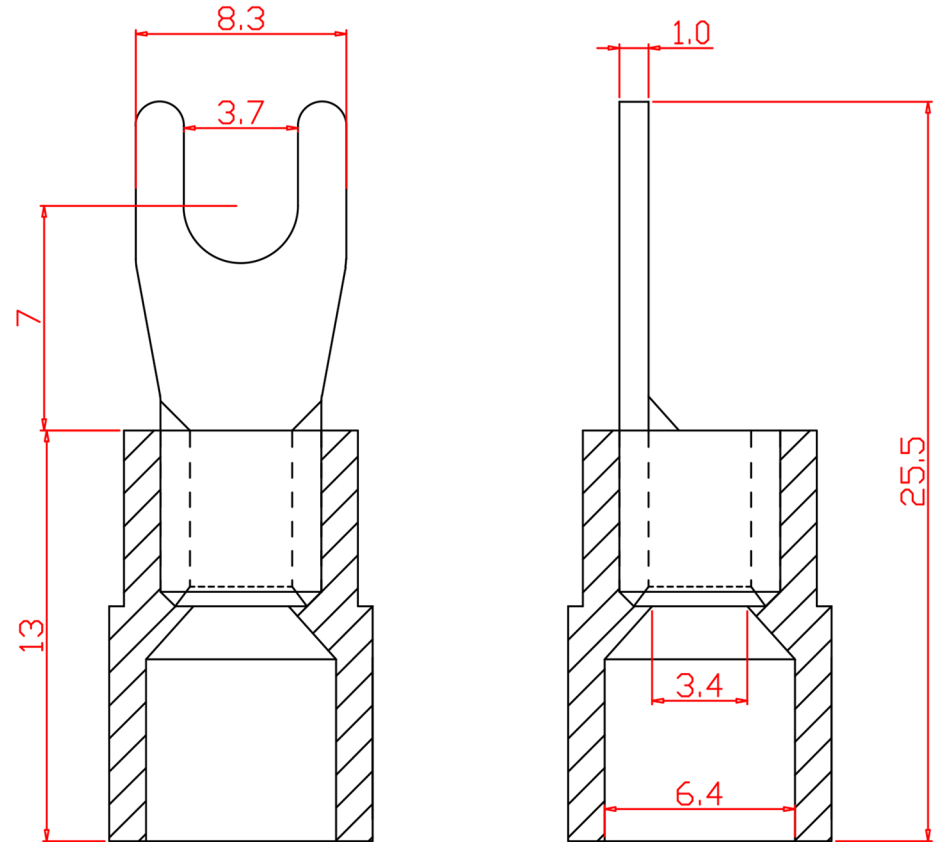
Standard (Metric)

- 1.00" (25.5mm)
- 0.51" (13mm)
- 0.28" (7mm)
- 0.33" (8.3mm)
- 0.15" (3.7mm)
- 0.13" (3.4mm)
- 0.25" (6.4mm)

Tolerances

(Unless Otherwise Specified)

CATEGORY	Nylon Insulated Fork Terminals	SCALE	4/1
PART #	SNYB5-37	SHEET	1-0
MATERIAL	Tin-Plated Copper	PAGE	10F1



FerrulesDirect