

**Notes:**

- Maximum Electric Current: 

|     |    |    |  |
|-----|----|----|--|
| AWG | 12 | 10 |  |
| AMP | 35 | 50 |  |
- Maximum Electric Rating: 75°C 2000 Volts Max
- Terminal Material: Copper
- Wire Range: 12-10 AWG (4-6mm<sup>2</sup>)
- Terminal Surface Treatment: Tin Plated
- Terminal Thickness: 1.00mm

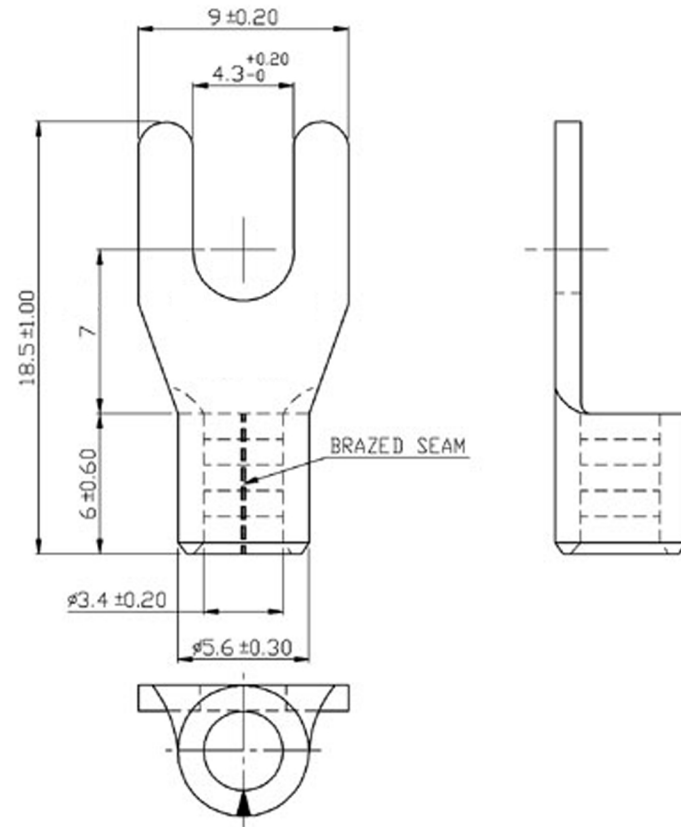
**Standard (Metric)**

- 0.73" (18.5mm)
- 0.28" (7mm)
- 0.24" (6mm)
- 0.35" (9mm)
- 0.17" (4.3mm)
- 0.13" (3.4mm)
- 0.22" (5.6mm)

**Tolerances**

(Unless Otherwise Specified)

|                 |                              |              |      |
|-----------------|------------------------------|--------------|------|
| <b>CATEGORY</b> | Non Insulated Fork Terminals | <b>SCALE</b> | 4/1  |
| <b>PART #</b>   | SNBL5-4                      | <b>SHEET</b> | 1-3  |
| <b>MATERIAL</b> | Tin-Plated Copper            | <b>PAGE</b>  | 10F2 |



**FerrulesDirect**