

## Notes:

1. Maximum Ampere Rating: 130 AMPS
2. Maximum Voltage Rating: 35KV
3. Color: Green
4. Terminal Material: Copper
5. Wire Size: 1 AWG (50mm<sup>2</sup>)
6. Stud Size: 1/4" Stud
7. Terminal Surface Treatment: Tin Plated

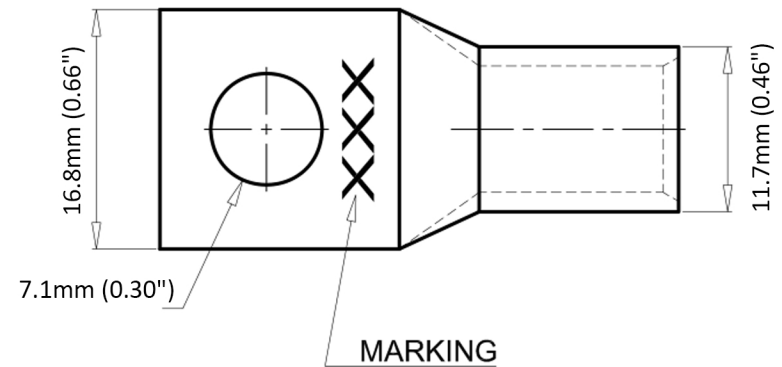
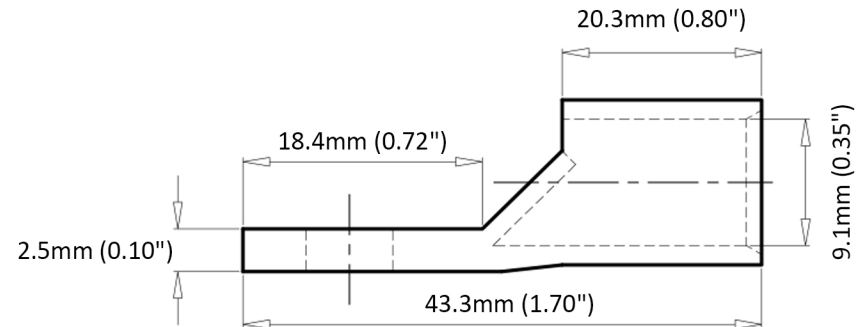
### Standard (Metric)

1.70" (43.3mm)  
 0.72" (18.4mm)  
 0.66" (16.8mm)  
 0.46" (11.7mm)  
 0.35" (9.1mm)  
 0.80" (20.3mm)  
 0.30" (7.1mm)  
 0.10" (2.5mm)

### Tolerances

(Unless Otherwise Specified)

± 5%



**CATEGORY**

One Hole Short Barrel  
 Compression Lugs

**SCALE**

4/1

**PART #**

SB114

**SHEET**

**MATERIAL**

Tin-Plated Copper

**PAGE**



**FerrulesDirect**