

## Notes:

1. Maximum Electric Current: 12A
2. Maximum Electric Rating: 105°C 600 Volts Max
3. Insulation Material: Nylon
4. Insulation Color: Orange
5. Terminal Material: Copper
6. Wire Range: 22 AWG (0.50mm<sup>2</sup>)

### Standard (Metric)

L1: 0.55 (14mm)  
 L2: 0.32 (8.0mm)  
 D: 0.051 (1.3mm)  
 D1: 0.04 (1.0mm)  
 D2: 0.102 (2.6mm)

### Tolerances

(Unless Otherwise Specified)

#### CATEGORY

Insulated Wire Ferrule Spool

#### SCALE

4/1

#### PART #

RW05008

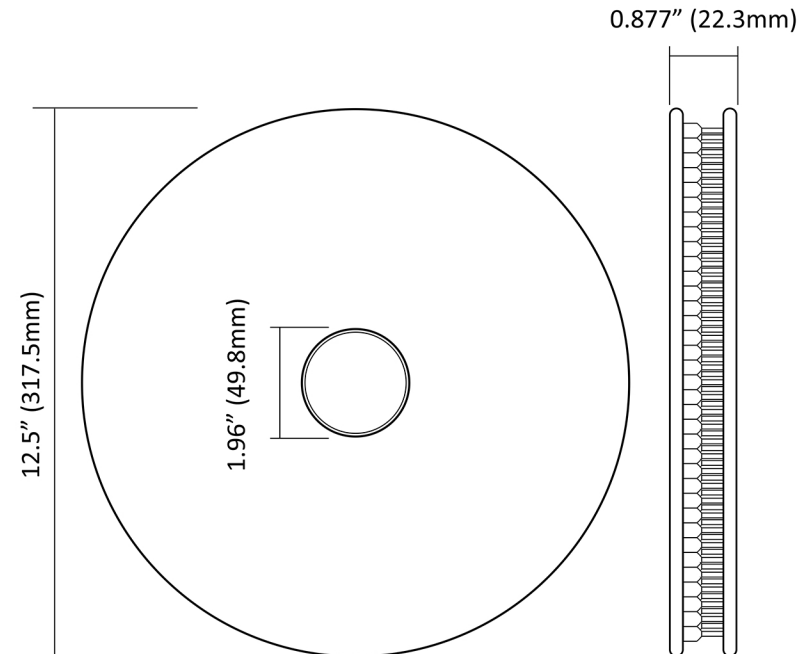
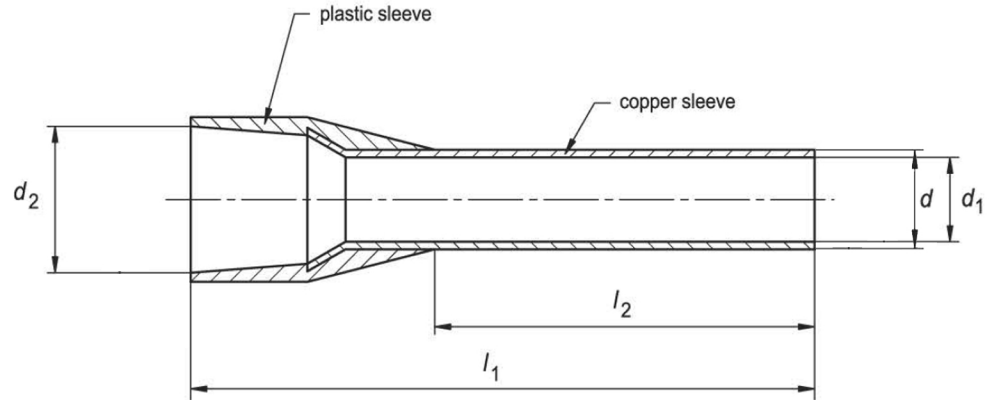
#### SHEET

1-1

#### MATERIAL

Tin-Plated Copper

#### PAGE



**FerrulesDirect**

