

Notes:

1. Maximum Electric Current: 18A
2. Maximum Electric Rating: 105°C 600 Volts Max
3. Insulation Material: Nylon
4. Insulation Color: Red
5. Terminal Material: Copper
6. Wire Range: 16 AWG (1.50mm²)

Standard (Metric)

L1: 0.55 (14.0mm)
 L2: 0.32 (8.0mm)
 D: 0.08 (2.0mm)
 D1: 0.07 (1.7mm)
 D2: 0.14 (3.5mm)

Tolerances

(Unless Otherwise Specified)

CATEGORY

Insulated Wire Ferrule Spool

SCALE

4/1

PART

RSW15008

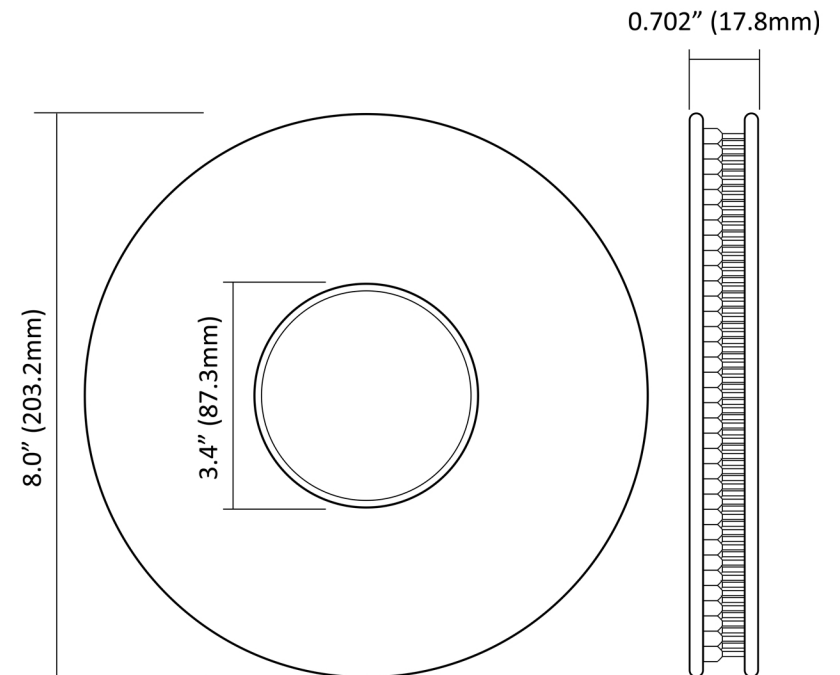
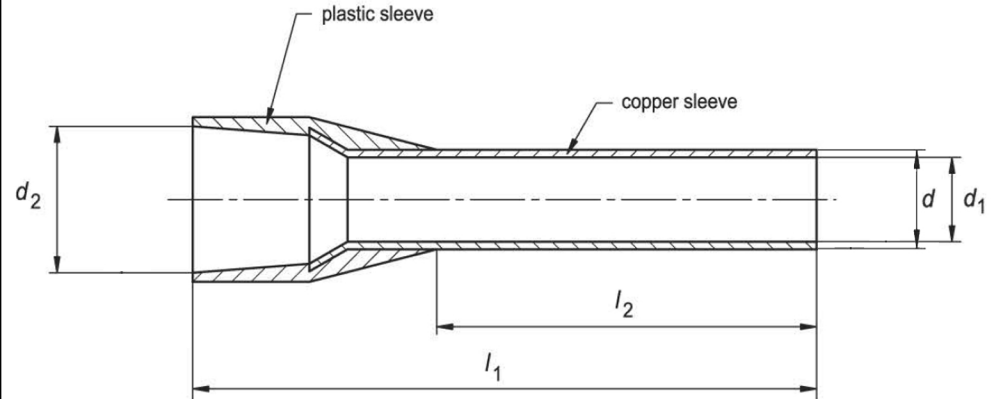
SHEET

1-1

MATERIAL

Tin-Plated Copper

PAGE



FerrulesDirect

