

Notes:

1. Maximum Electric Current: 7A
2. Maximum Electric Rating: 105°C 600 Volts Max
3. Insulation Material: Nylon
4. Insulation Color: Turquoise
5. Terminal Material: Copper
6. Wire Range: 22 AWG (0.34mm²)

Standard (Metric)

L1: 0.49 (12.4mm)
 L2: 0.32 (8.0mm)
 D: 0.045 (1.15mm)
 D1: 0.033 (0.85mm)
 D2: 0.079 (2.0mm)

Tolerances

(Unless Otherwise Specified)

CATEGORY

Insulated Wire Ferrule
 Mini Spool

SCALE

4/1

PART

RSW03408

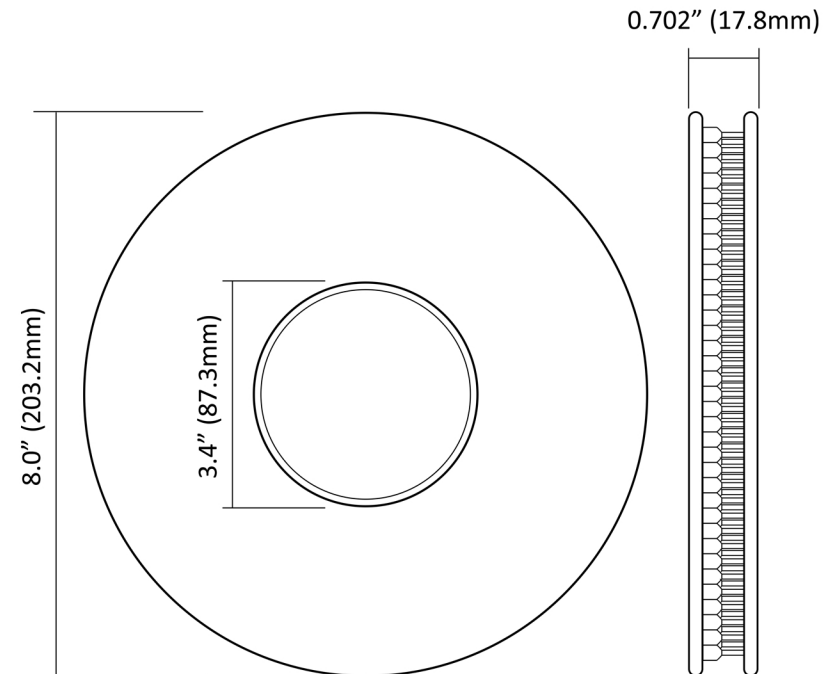
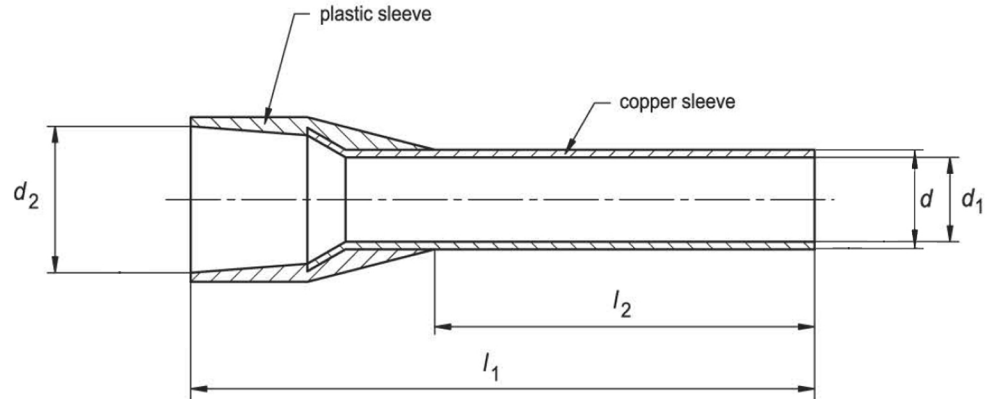
SHEET

1-1

MATERIAL

Tin-Plated Copper

PAGE



FerrulesDirect

