

Notes:

- Maximum Electric Current:

| | | | |
|-----|----|----|--|
| AWG | 16 | 14 | |
| AMP | 18 | 30 | |
- Maximum Electric Rating: 105°C 600 Volts Max
- Insulation Material: Nylon
- Insulation Color: Blue
- Terminal Material: Copper
- Wire Range: 16-14 AWG (1.5-2.5mm²)
- Terminal Surface Treatment: Tin Plated
- Terminal Thickness: 0.80mm

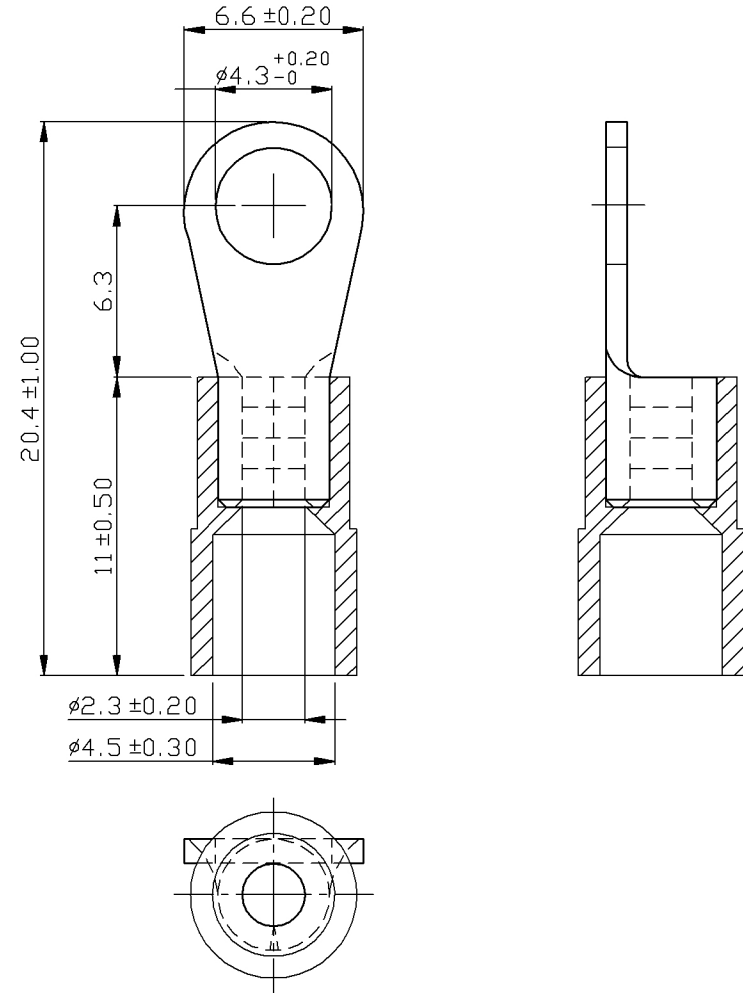
Standard (Metric)

- 0.80" (20.4mm)
- 0.25" (6.3mm)
- 0.43" (11mm)
- 0.26" (6.6mm)
- 0.17" (4.3mm)
- 0.09" (2.3mm)
- 0.18" (4.5mm)

Tolerances

(Unless Otherwise Specified)

| | | | |
|-----------------|--|--------------|------|
| CATEGORY | Nylon Ring Terminals - Standard Crimp | SCALE | 4/1 |
| PART # | RNYS2-4 | SHEET | 1-2 |
| MATERIAL | Tin-Plated Copper | PAGE | 10F2 |



FerrulesDirect