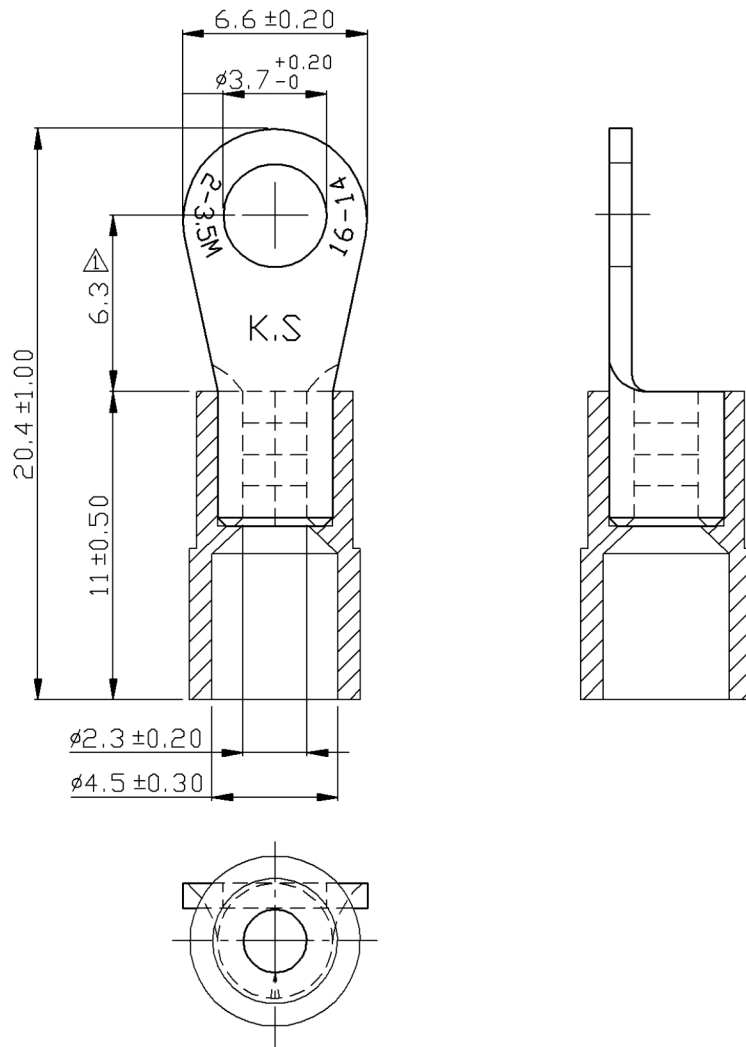


REV	DESCRIPTION	DATE
-----	-------------	------

△	RDK-97127	2009/09/17
△	RDK-98020	2009/09/17



NOTE :

1. MAXIMUM ELECTRIC CURRENT :

A.W.G.	16	14	
AMP.	18	30	
2. MAXIMUM ELECTRICAL RATING : 105°C 600 VOLTS MAX.
3. INSULATION MATERIAL : NYLON
4. INSULATION COLOR : BLUE
5. TERMINAL MATERIAL : COPPER
6. WIRE RANGE : 16-14 A.W.G. (1.5-2.5 mm²)
7. TERMINAL SURFACE TREATMENT : TIN PLATED
8. TERMINAL THICKNESS : 0.8 mm

Tolerance Unless Otherwise Specified	
0 >	mm ± ANGLE
>	mm ± 0° ° REF ±
>	mm ± ° ° ±
>	mm ± ° ° ±

NAME	NYLON-INSULATED RING TERMINALS			UNIT	mm	
PART NO.	RNYM2-3.7	MATERIAL	TIN-PLATED COPPER			
NUMBER	KA-951045-C	SCALE	SHEET	PAGE		
DATE	2006/08/08	4/1	1-2	10F2		

FerrulesDirect