

Notes:

- Maximum Electric Current:

AWG	16	14	
AMP	18	30	
- Maximum Electric Rating: 105°C 600 Volts Max
- Insulation Material: Nylon
- Insulation Color: Blue
- Terminal Material: Copper
- Wire Range: 16-14 AWG (1.5-2.5mm²)
- Terminal Surface Treatment: Tin Plated
- Terminal Thickness: 0.80mm
- Double Crimp: With Copper Sleeve On Barrel

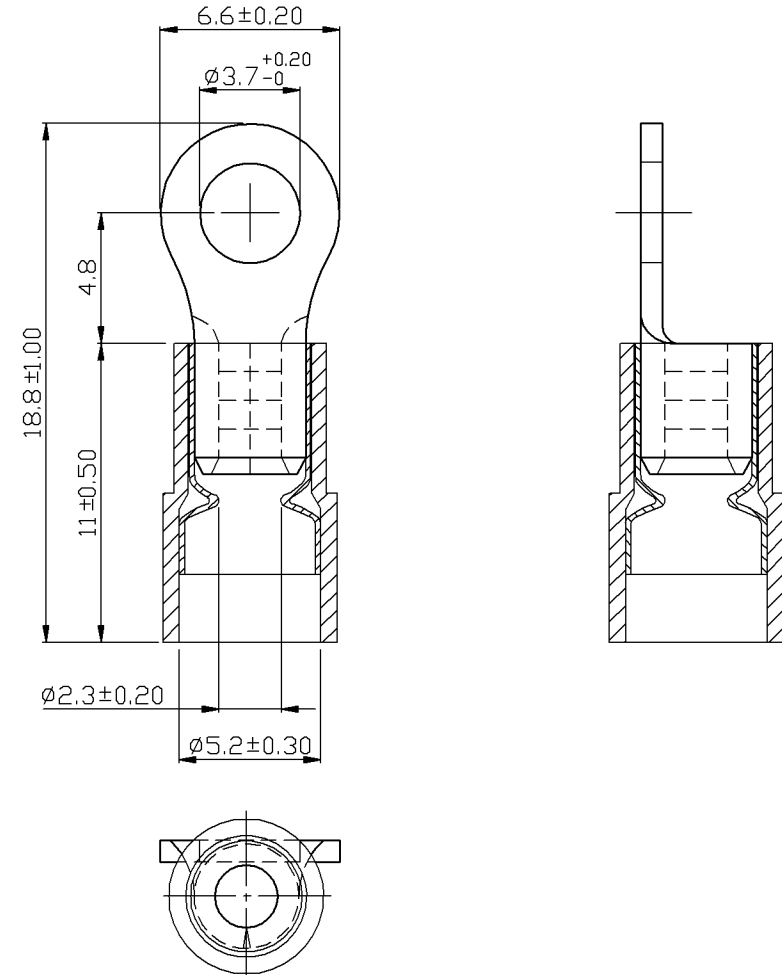
Standard (Metric)

- 0.74" (18.8mm)
- 0.19" (4.8mm)
- 0.43" (11mm)
- 0.26" (6.6mm)
- 0.15" (3.7mm)
- 0.09" (2.3mm)
- 0.20" (5.2mm)

Tolerances

(Unless Otherwise Specified)

CATEGORY	Nylon Ring Terminals - Double Crimp	SCALE	4/1
PART #	RNYDS2-37	SHEET	1-1
MATERIAL	Tin-Plated Copper	PAGE	10F2



FerrulesDirect