

Notes:

- Maximum Electric Current:

AWG	22	20	18	16
AMP	9	12	17	18
- Maximum Electric Rating: 105°C 600 Volts Max
- Insulation Material: Nylon
- Insulation Color: Red
- Terminal Material: Copper
- Wire Range: 22-16 AWG (0.5-1.5mm²)
- Terminal Surface Treatment: Tin Plated
- Terminal Thickness: 0.75mm
- Double Crimp: With Copper Sleeve On Barrel

Standard (Metric)

0.80" (20.4mm)
 0.25" (6.3mm)
 0.43" (11mm)
 0.26" (6.6mm)
 0.17" (4.3mm)
 0.07" (1.7mm)
 0.18" (4.5mm)

Tolerances

(Unless Otherwise Specified)

CATEGORY

Nylon Ring Terminals
 - Double Crimp

SCALE

4/1

PART #

RNYDS1-4

SHEET

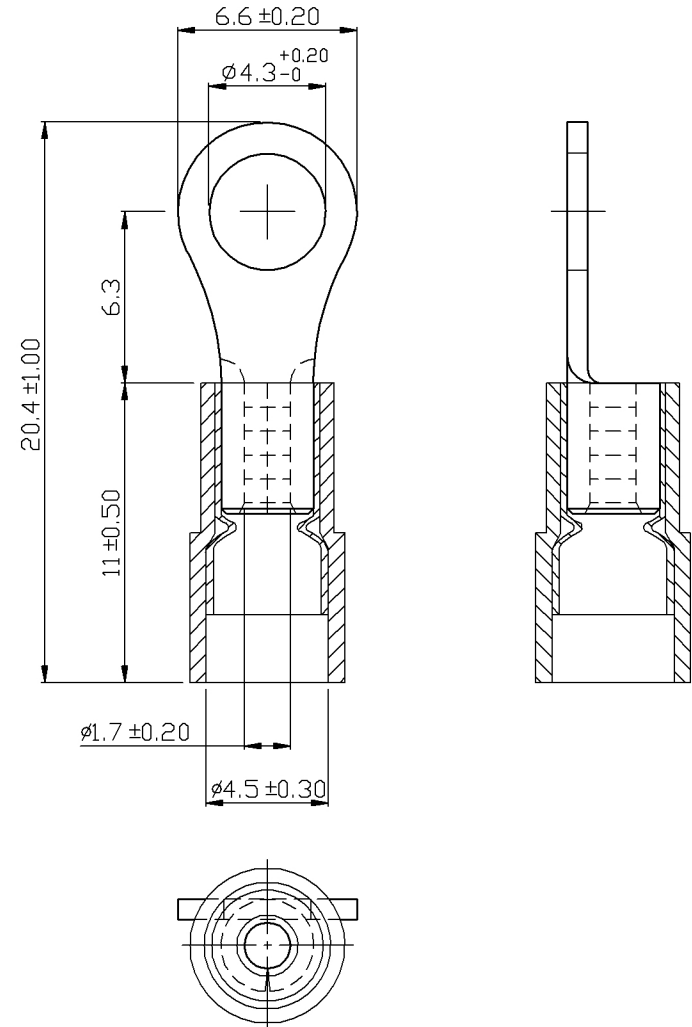
1-2

MATERIAL

Tin-Plated Copper

PAGE

10F2



FerrulesDirect