

**Notes:**

- Maximum Electric Current: 

AWG	22	20	18	16
AMP	9	12	17	18
- Maximum Electric Rating: 105°C 600 Volts Max
- Insulation Material: Nylon
- Insulation Color: Red
- Terminal Material: Copper
- Wire Range: 22-16 AWG (0.5-1.5mm<sup>2</sup>)
- Terminal Surface Treatment: Tin Plated
- Terminal Thickness: 0.75mm
- Double Crimp: With Copper Sleeve On Barrel

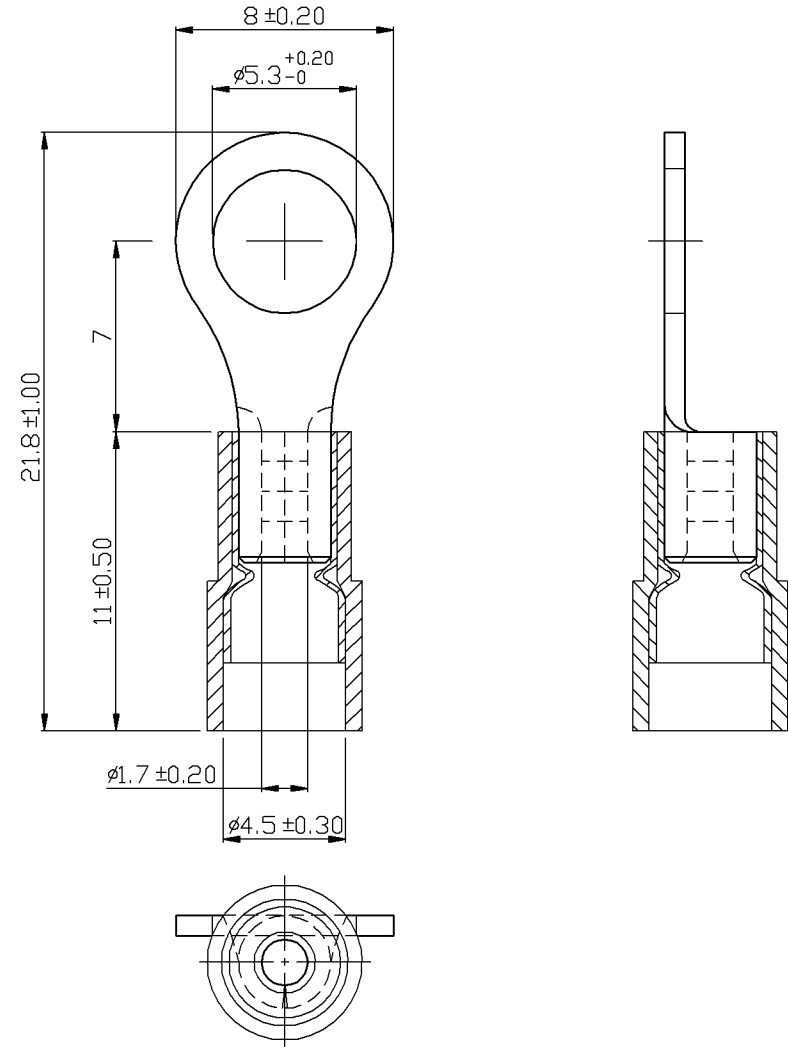
**Standard (Metric)**

- 0.86" (21.8mm)
- 0.28" (7mm)
- 0.43" (11mm)
- 0.31" (8mm)
- 0.21" (5.3mm)
- 0.07" (1.7mm)
- 0.18" (4.5mm)

**Tolerances**

(Unless Otherwise Specified)

<b>CATEGORY</b>	Nylon Ring Terminals - Double Crimp	<b>SCALE</b>	4/1
<b>PART #</b>	RNYD1-5	<b>SHEET</b>	1-2
<b>MATERIAL</b>	Tin-Plated Copper	<b>PAGE</b>	10F2



**FerrulesDirect**