

Notes:

1. Maximum Voltage Rating: 600V
2. Terminal Material: Tin Plated Copper
3. Wire Size: 6 AWG
4. Stud Size: #8 Stud
5. Temperature Rating: 105°C
6. Color: Blue
7. Insulation Material: Nylon

Metric (Standard)

T: 1.5mm (0.059")
 L: 40.2mm (1.583")
 F: 13.3mm (0.524")
 E: 21.5mm (0.846")
 W: 12.0mm (0.472")
 D: 11.0mm (0.433")
 D1: 5.8mm (0.228")
 D2: 4.3mm (0.169")

Tolerances

(Unless Otherwise Specified)

Up to +/-5%

CATEGORY

Nylon Insulated
Ring Terminals

SCALE

4/1

PART #

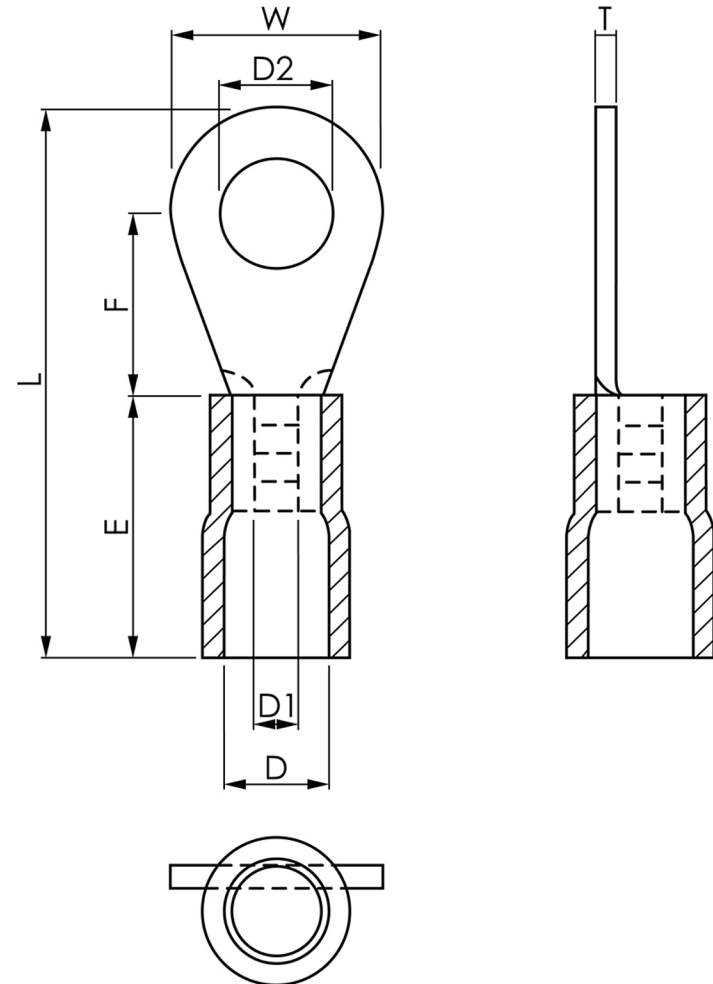
RNYB14-4

SHEET

MATERIAL

Tin-Plated Copper

PAGE



FerrulesDirect