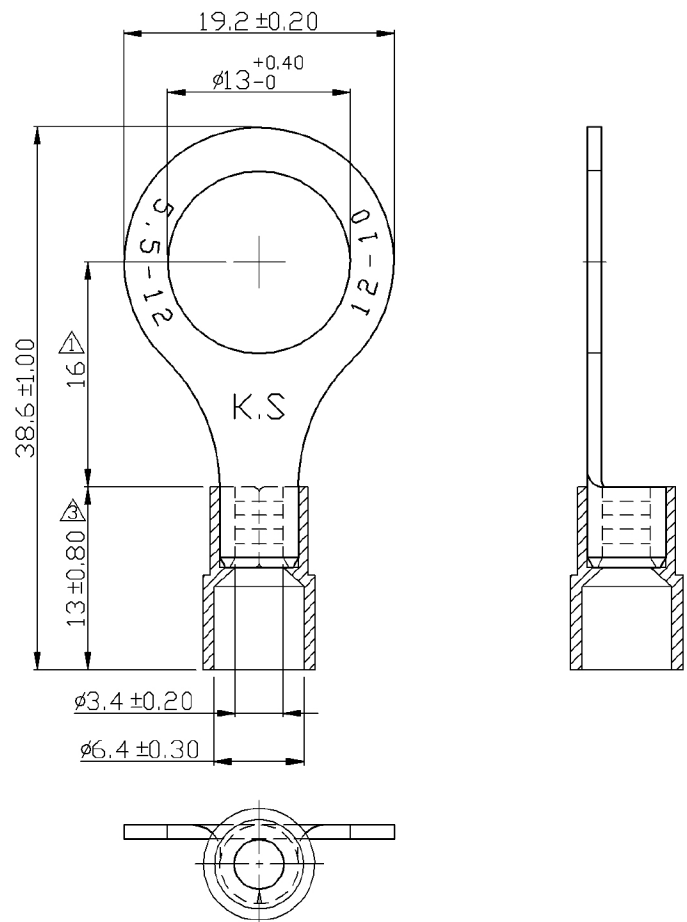


REV	DESCRIPTION	DATE
-----	-------------	------

△	RDK-97127	2009/09/14
△	RDK-98020	2009/09/14
△	RDC-100126	2011/04/11



- NOTE :
1. MAXIMUM ELECTRIC CURRENT :

A.W.G.	12	10	
AMP.	35	50	
 2. MAXIMUM ELECTRICAL RATING : 105°C 600 VOLTS MAX.
 3. INSULATION MATERIAL : NYLON
 4. INSULATION COLOR : YELLOW
 5. TERMINAL MATERIAL : COPPER
 6. WIRE RANGE : 12-10 A.W.G. (4-6 mm²)
 7. TERMINAL SURFACE TREATMENT : TIN PLATED
 8. TERMINAL THICKNESS : 1.0 mm

Tolerance Unless Otherwise Specified	
0 >	mm ± ANGLE
>	mm ± 0° ° REF ±
>	mm ± ° ° ±
>	mm ± ° ° ±

NAME	NYLON-INSULATED RING TERMINALS			UNIT	
PART NO.	RNY5-12	MATERIAL	TIN-PLATED COPPER		
NUMBER	KA-951148-C	SCALE	SHEET	PAGE	
DATE	2006/08/17	2/1	1-3	10F2	

FerrulesDirect