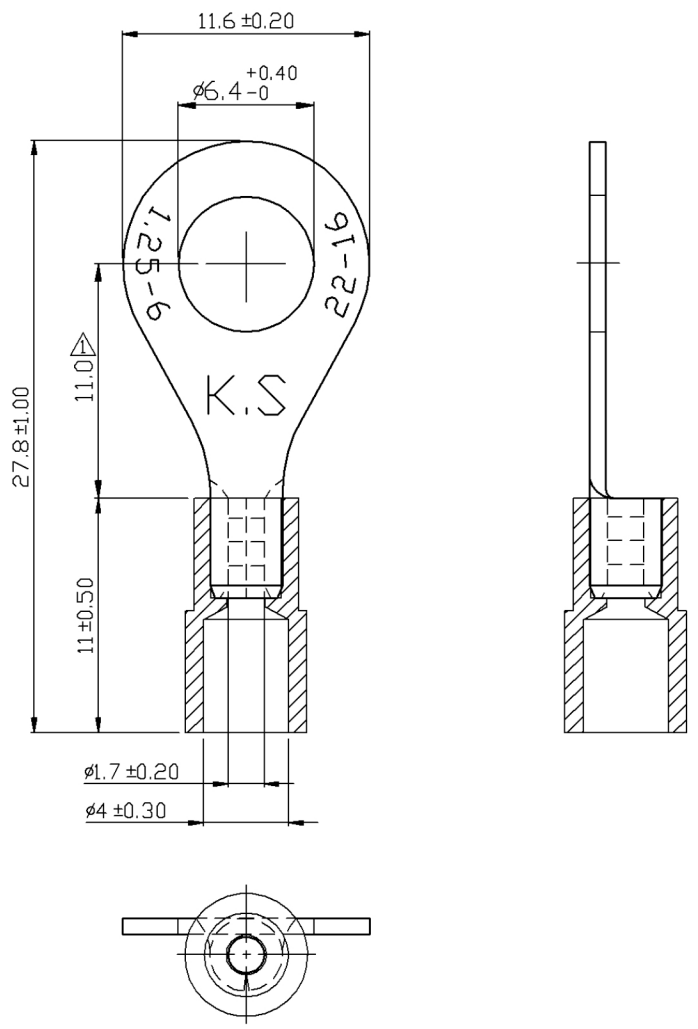


REV	DESCRIPTION	DATE
△	RDK-97127	2009/09/18
△	RDK-98020	2009/09/18



NOTE :

1. MAXIMUM ELECTRIC CURRENT :

A.W.G.	22	20	18	16
AMP.	9	12	17	18
2. MAXIMUM ELECTRICAL RATING : 105°C 600 VOLTS MAX.
3. INSULATION MATERIAL : NYLON
4. INSULATION COLOR : RED
5. TERMINAL MATERIAL : COPPER
6. WIRE RANGE : 22-16 A.W.G. (0.5-1.5 mm²)
7. TERMINAL SURFACE TREATMENT : TIN PLATED
8. TERMINAL THICKNESS : 0.75 mm

△ Tolerance Unless Otherwise Specified	
0 >	mm ± ANGLE
>	mm ± 0° REF ±
>	mm ± ° ±
>	mm ± ° ±

NAME	NYLON-INSULATED RING TERMINALS			UNIT	mm	
PART NO.	RNY1-6	MATERIAL	TIN-PLATED COPPER			
NUMBER	KA-93097-C	SCALE	SHEET	PAGE		
DATE	2007/07/12	3/1	1-2	10F2		

FerrulesDirect