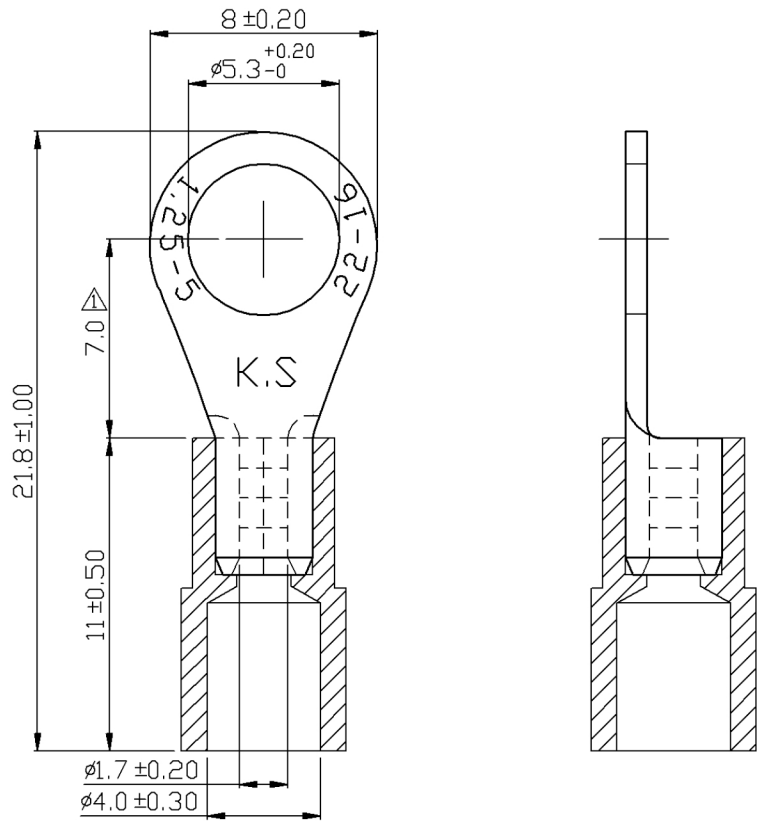


REV	DESCRIPTION	DATE
△	RDK-97127	2009/09/18
△	RDK-98020	2009/09/18



- NOTE :
1. MAXIMUM ELECTRIC CURRENT : 

A.W.G.	22	20	18	16
AMP.	9	12	17	18
  2. MAXIMUM ELECTRICAL RATING : 105°C 600 VOLTS MAX.
  3. INSULATION MATERIAL : NYLON
  4. INSULATION COLOR : RED
  5. TERMINAL MATERIAL : COPPER
  6. WIRE RANGE : 22-16 A.W.G. ( 0.5-1.5 mm<sup>2</sup> )
  7. TERMINAL SURFACE TREATMENT : TIN PLATED
  8. TERMINAL THICKNESS : 0.75 mm

△ Tolerance Unless	
□ Otherwise Specified	
0 >	mm ±
>	mm ±
>	mm ±
>	mm ±
	ANGLE
	0° >
	° REF ±
	° ±
	° ±

NAME	NYLON-INSULATED RING TERMINALS			UNIT	mm		
PART NO.	RNY1-5	MATERIAL	TIN-PLATED COPPER				
NUMBER	KA-951640-C	SCALE	SHEET	PAGE			
DATE	2007/05/08	4/1	1-2	10F2			

**FerrulesDirect**