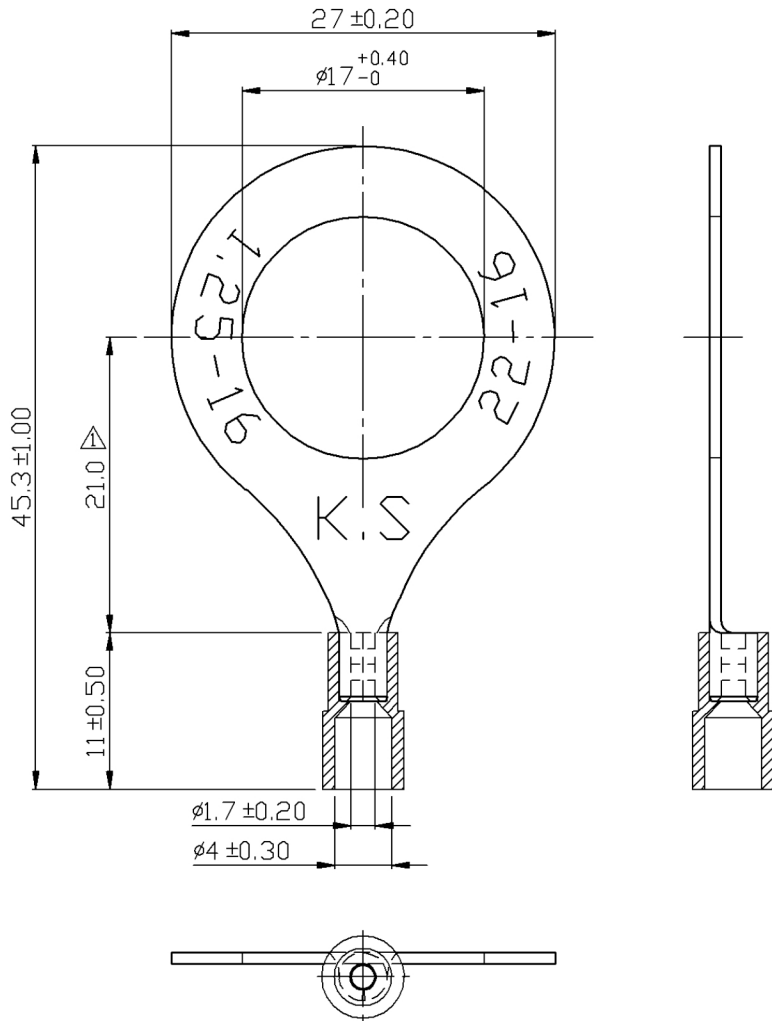


A B C D E F G H

REV	DESCRIPTION	DATE
-----	-------------	------

△	RDK-97127	2009/09/18
△	RDK-98020	2009/09/18



NOTE :

1. MAXIMUM ELECTRIC CURRENT : 

A.W.G.	22	20	18	16
AMP.	9	12	17	18
2. MAXIMUM ELECTRICAL RATING : 105°C 600 VOLTS MAX.
3. INSULATION MATERIAL : NYLON
4. INSULATION COLOR : RED
5. TERMINAL MATERIAL : COPPER
6. WIRE RANGE : 22-16 A.W.G. ( 0.5-1.5 mm<sup>2</sup> )
7. TERMINAL SURFACE TREATMENT : TIN PLATED
8. TERMINAL THICKNESS : 0.8 mm

Tolerance Unless Otherwise Specified	
0 >	mm ±
>	mm ±
>	mm ±
>	mm ±
	ANGLE
	° REF ±
	° ±
	° ±

NAME	NYLON-INSULATED RING TERMINALS			UNIT	mm	
PART NO.	RNY1-16	MATERIAL	TIN-PLATED COPPER			
NUMBER	KA-951646-C	SCALE	SHEET	PAGE		
DATE	2007/07/13	2/1	1-2	10F2		

**FerrulesDirect**

A B C D E F G H