

Notes:

1. Maximum Electrical Current:

AWG	12	10		
AMP	35	50		
2. Maximum Electrical Rating: 150° 600 Volts
3. Terminal Material: Copper
4. Wire Range: 12-10 AWG (4-6mm²)
5. Terminal Surface Treatment: Tin Plated
6. #8 Stud Size
7. Terminal Thickness: 1.00mm

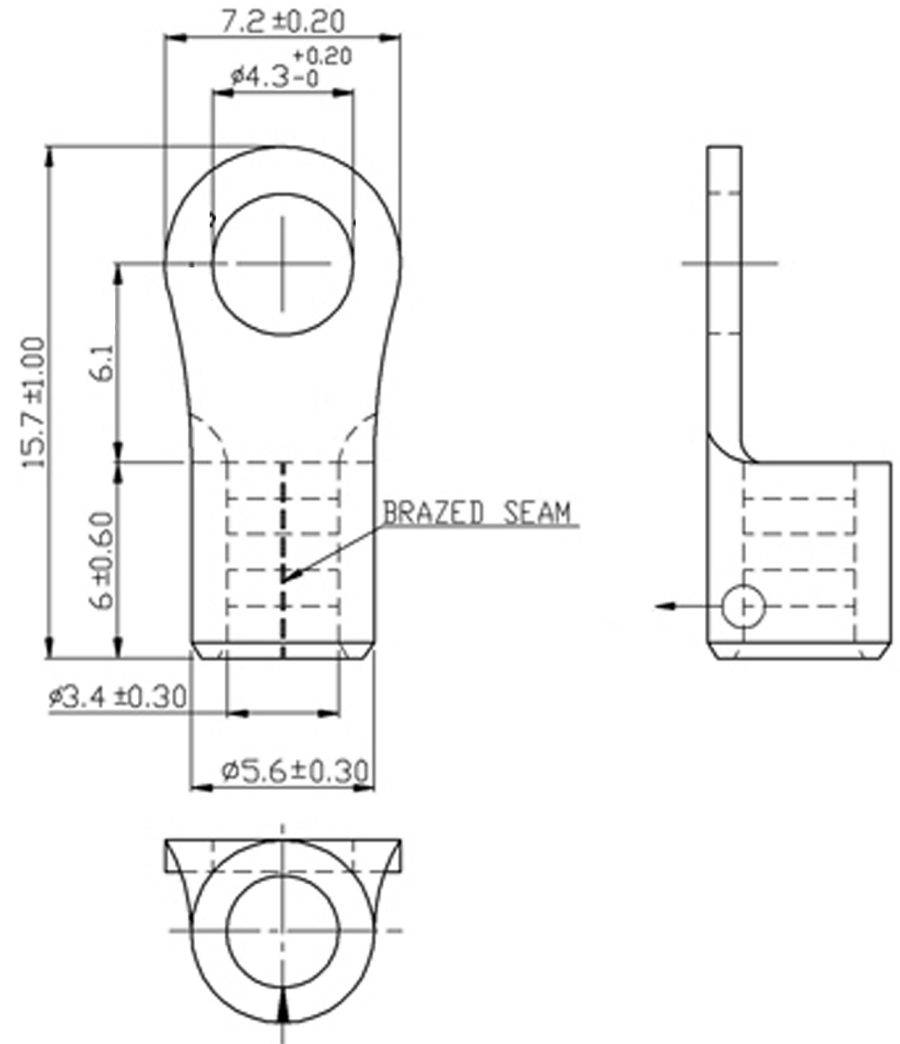
Standard (Metric)

- 0.62" (15.7mm)
- 0.24" (6mm)
- 0.24" (6.1mm)
- 0.28" (7.2mm)
- 0.17" (4.3mm)
- 0.13" (3.4mm)
- 0.22" (5.6mm)

Tolerances

(Unless Otherwise Specified)

CATEGORY	Non Insulated Ring Terminals	SCALE	4/1
PART #	RNBS5-4	SHEET	1-3
MATERIAL	Tin Plated Copper	PAGE	10F2



FerrulesDirect