

Notes:

- Maximum Electrical Current:

AWG	16	14	
AMP	18	30	
- Maximum Electrical Rating: 150° 600 Volts
- Terminal Material: Copper
- Wire Range: 16-14 AWG (1.5-2.5mm²)
- Terminal Surface Treatment: Tin Plated
- #10 Stud Size
- Terminal Thickness: 0.80mm

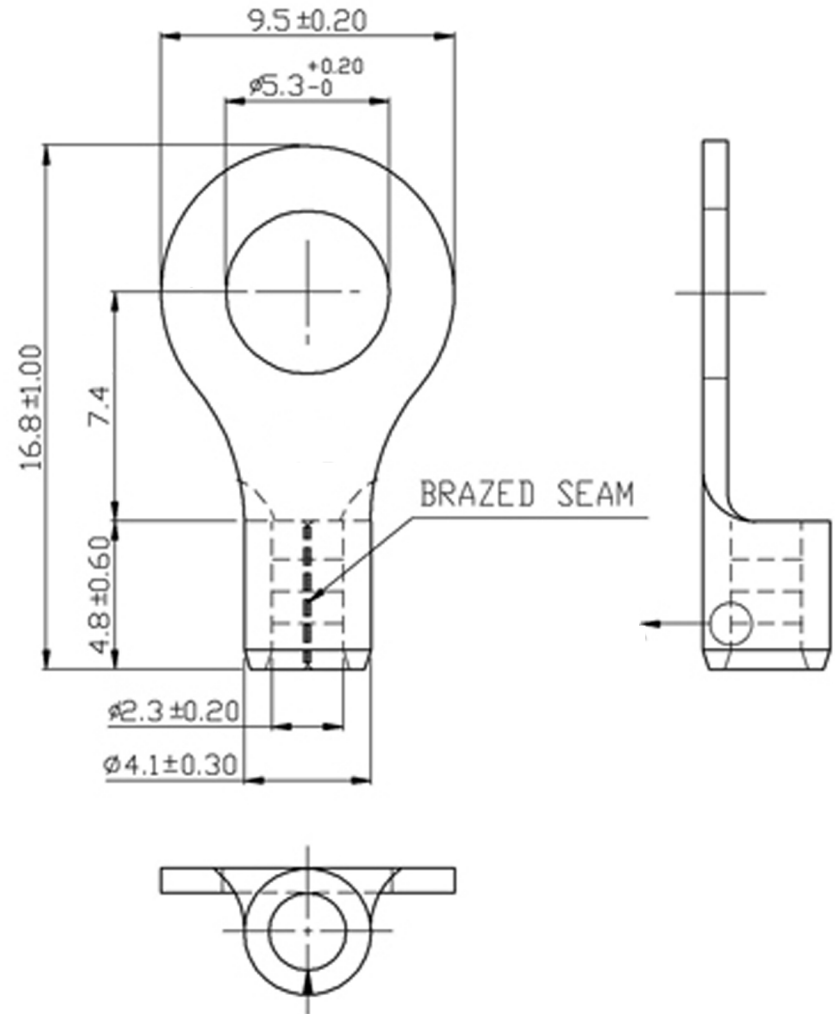
Standard (Metric)

- 0.66" (16.8mm)
- 0.19" (4.8mm)
- 0.29" (7.4mm)
- 0.37" (9.5mm)
- 0.21" (5.3mm)
- 0.09" (2.3mm)
- 0.16" (4.1mm)

Tolerances

(Unless Otherwise Specified)

CATEGORY	Non Insulated Ring Terminals	SCALE	4/1
PART #	RNBL2-5	SHEET	1-3
MATERIAL	Tin Plated Copper	PAGE	10F2



FerrulesDirect