

**Notes:**

- Maximum Electric Current: 

AWG	16	14	
AMP	18	30	
- Maximum Electric Rating: 75°C 2000 Volts Max
- Terminal Material: Copper
- Wire Range: 16-14 AWG (1.5-2.5mm<sup>2</sup>)
- Terminal Surface Treatment: Tin Plated
- Terminal Thickness: 0.80mm

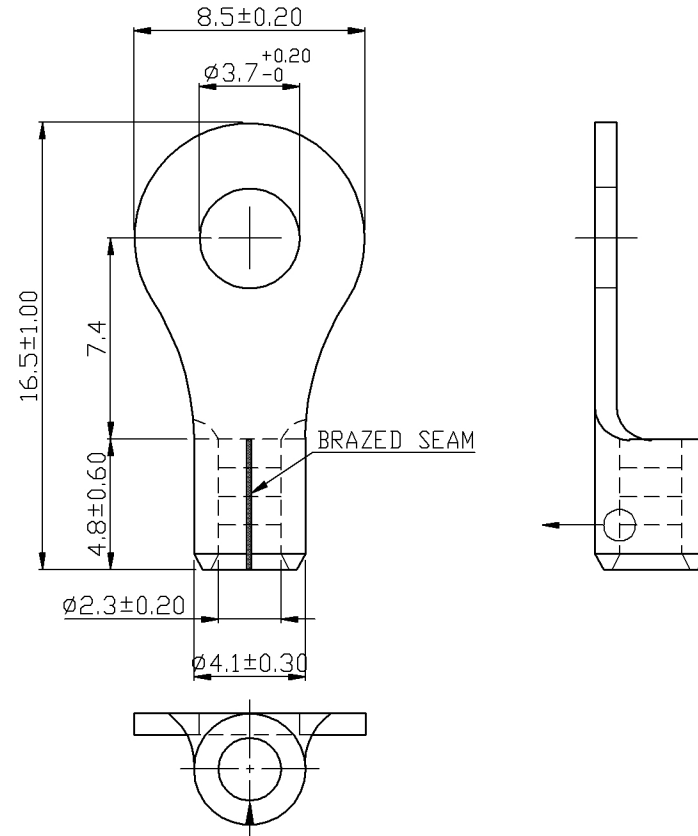
**Standard (Metric)**

- 0.65" (16.5mm)
- 0.29" (7.4mm)
- 0.19" (4.8mm)
- 0.33" (8.5mm)
- 0.15" (3.7mm)
- 0.09" (2.3mm)
- 0.16" (4.1mm)

**Tolerances**

(Unless Otherwise Specified)

<b>CATEGORY</b>	Non Insulated Ring Terminals	<b>SCALE</b>	4/1
<b>PART #</b>	RNBL2-37	<b>SHEET</b>	1-3
<b>MATERIAL</b>	Tin-Plated Copper	<b>PAGE</b>	10F2



**FerrulesDirect**