

Notes:

- Maximum Electric Current:

AWG	12	10	
AMP	35	50	
- Maximum Electric Rating: 75°C 2000 Volts Max
- Terminal Material: Copper
- Wire Range: 12-10 AWG (4-6mm²)
- Terminal Surface Treatment: Tin Plated
- Terminal Thickness: 1.00mm

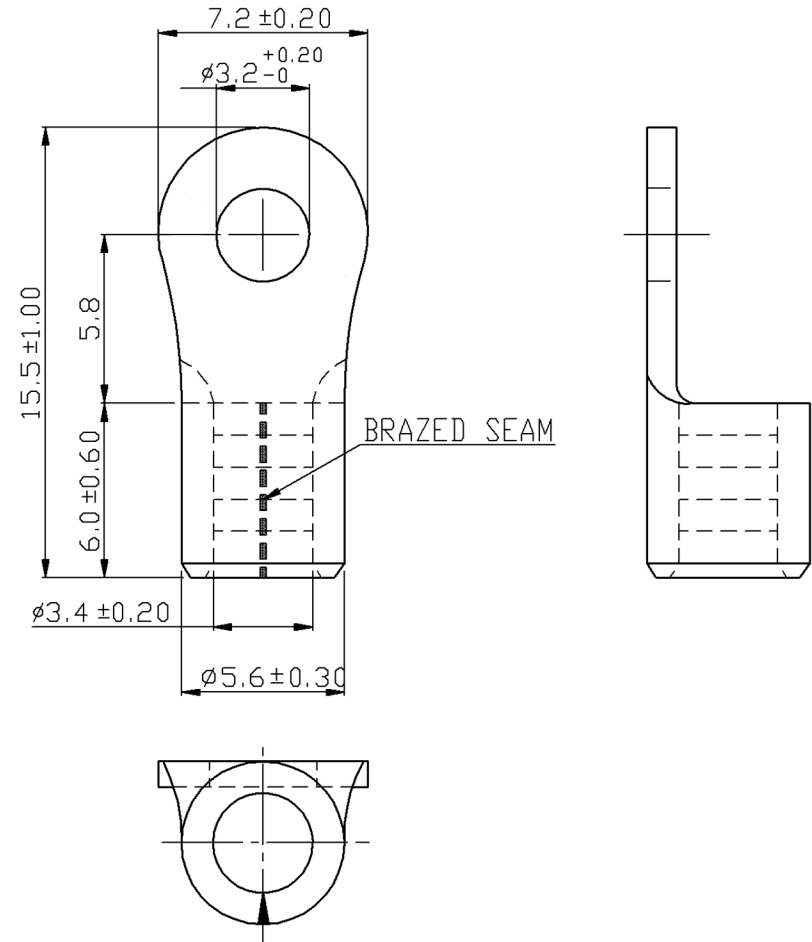
Standard (Metric)

- 0.61" (15.5mm)
- 0.23" (5.8mm)
- 0.24" (6mm)
- 0.28" (7.2mm)
- 0.13" (3.2mm)
- 0.13" (3.4mm)
- 0.22" (5.6mm)

Tolerances

(Unless Otherwise Specified)

CATEGORY	Non Insulated Ring Terminals	SCALE	4/1
PART #	RNB5-32	SHEET	1-3
MATERIAL	Tin-Plated Copper	PAGE	10F2



FerrulesDirect