

Notes:

- Maximum Electric Current:

AWG	14	12	
AMP	30	35	
- Maximum Electric Rating: 75°C 2000 Volts Max
- Terminal Material: Copper
- Wire Range: 14-12 AWG (2.5-4mm²)
- Terminal Surface Treatment: Tin Plated
- Terminal Thickness: 1.00mm

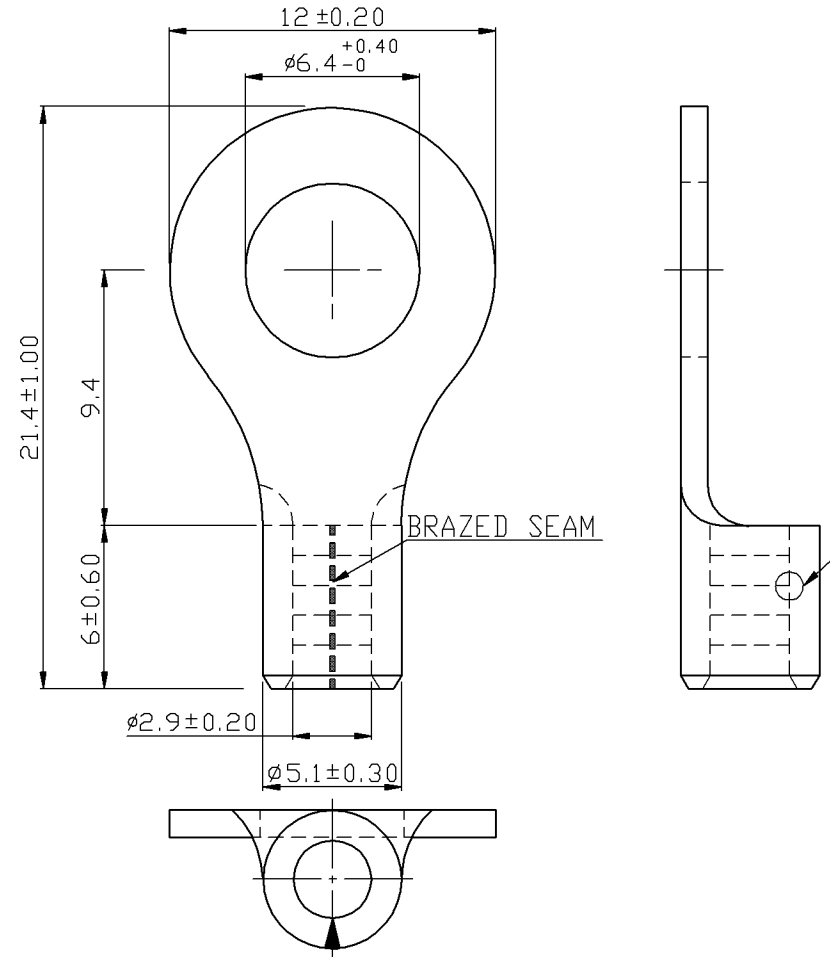
Standard (Metric)

- 0.84" (21.4mm)
- 0.37" (9.4mm)
- 0.24" (6mm)
- 0.47" (12mm)
- 0.25" (6.4mm)
- 0.11" (2.9mm)
- 0.20" (5.1mm)

Tolerances

(Unless Otherwise Specified)

CATEGORY	Non Insulated Ring Terminals	SCALE	4/1
PART #	RNB3-6	SHEET	1-3
MATERIAL	Tin-Plated Copper	PAGE	10F2



FerrulesDirect