

Notes:

1. Maximum Electric Current:

AWG	16	14	
AMP	18	30	
2. Maximum Electric Rating: 75°C 2000 Volts Max
3. Terminal Material: Copper
4. Wire Range: 16-14 AWG (1.5-2.5mm²)
5. Terminal Surface Treatment: Tin Plated
6. Terminal Thickness: 0.80mm

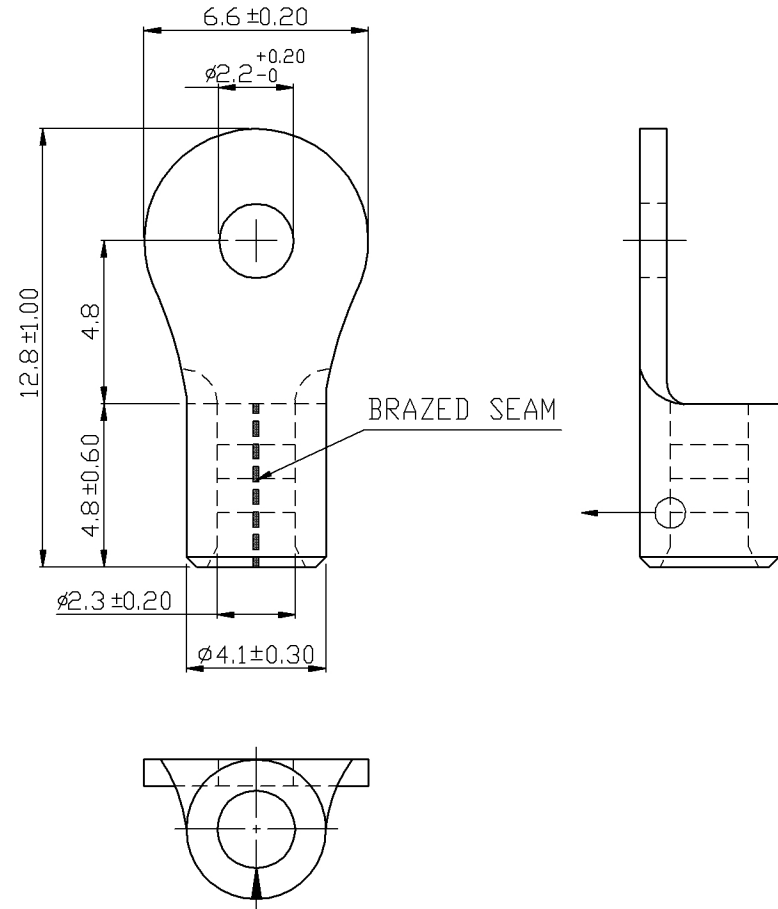
Standard (Metric)

- 0.50" (12.8mm)
- 0.19" (4.8mm)
- 0.19" (4.8mm)
- 0.26" (6.6mm)
- 0.09" (2.2mm)
- 0.09" (2.3mm)
- 0.16" (4.1mm)

Tolerances

(Unless Otherwise Specified)

CATEGORY	Non Insulated Ring Terminals	SCALE	5/1
PART #	RNB2-2	SHEET	1-3
MATERIAL	Tin-Plated Copper	PAGE	10F2



FerrulesDirect