

Notes:

- Maximum Electrical Current:

| | | | | |
|-----|----|--|--|--|
| AWG | 6 | | | |
| AMP | 95 | | | |
- Maximum Electrical Rating: 150° 600 Volts
- Terminal Material: Copper
- Wire Range: 6 AWG (14mm²)
- Terminal Surface Treatment: Tin Plated
- 3/8 Stud Size
- Terminal Thickness: 1.50mm

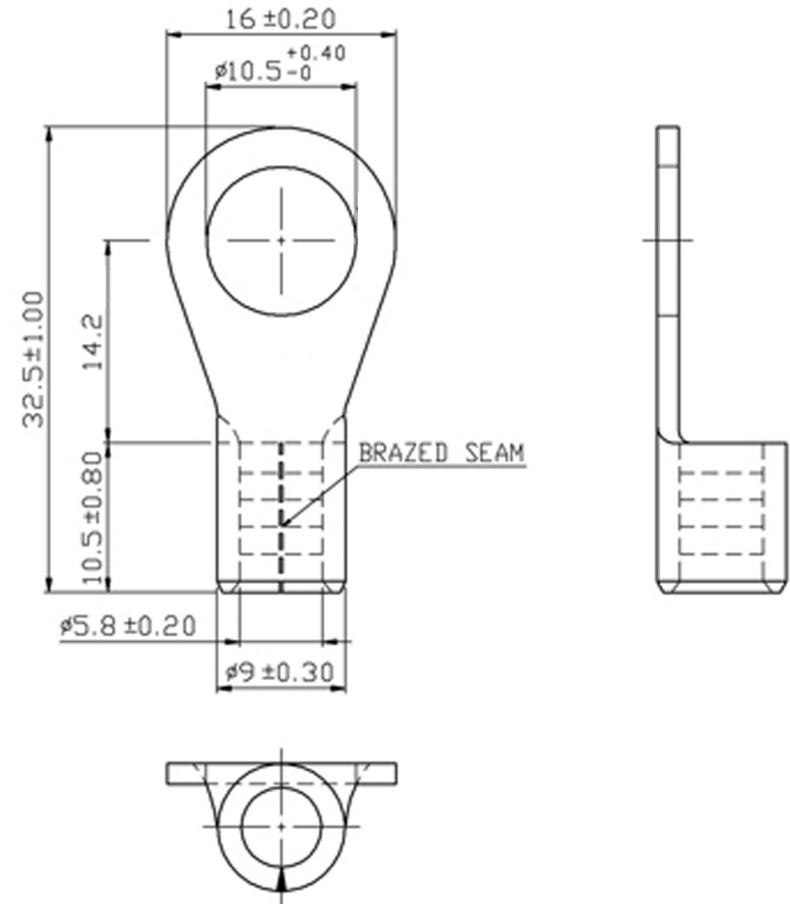
Standard (Metric)

- 1.28" (32.5mm)
- 0.41" (10.5mm)
- 0.56" (14.2mm)
- 0.63" (16mm)
- 0.41" (10.5mm)
- 0.23" (5.8mm)
- 0.35" (9mm)

Tolerances

(Unless Otherwise Specified)

| | | | |
|-----------------|-----------------------------|--------------|------|
| CATEGORY | Non Insulated Ring Terminal | SCALE | 2/1 |
| PART # | RNB14-10 | SHEET | 1-2 |
| MATERIAL | Tin Plated Copper | PAGE | 10F2 |



FerrulesDirect