

Notes:

- Maximum Electrical Current:

AWG	22	20	18	16
AMP	9	12	17	18
- Maximum Electrical Rating: 150° 600 Volts
- Terminal Material: Copper
- Wire Range: 22-16 AWG (0.5-1.5mm²)
- Terminal Surface Treatment: Tin Plated
- #4 Stud Size

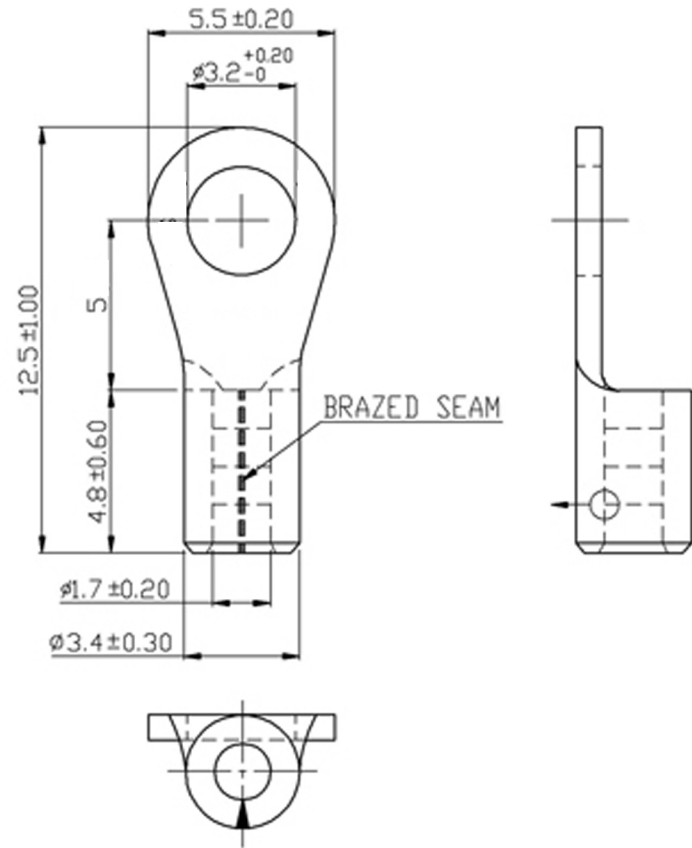
Standard (Metric)

- 0.49" (12.5mm)
- 0.19" (4.8mm)
- 0.20" (5mm)
- 0.22" (5.5mm)
- 0.13" (3.2mm)
- 0.07" (1.7mm)
- 0.13" (3.4mm)

Tolerances

(Unless Otherwise Specified)

CATEGORY	Non Insulated Ring Terminal	SCALE	5/1
PART #	RNB1-32	SHEET	1-3
MATERIAL	Tin Plated Copper	PAGE	10F2



FerrulesDirect