

Notes:

1. Maximum Electric Current:

AWG	22	20	18	16
AMP	9	12	17	18
2. Maximum Electric Rating: 75°C 2000 Volts Max
5. Terminal Material: Copper
6. Wire Range: 22-16 AWG (0.5-1.5mm²)
7. Terminal Surface Treatment: Tin Plated
8. Terminal Thickness: 0.75mm

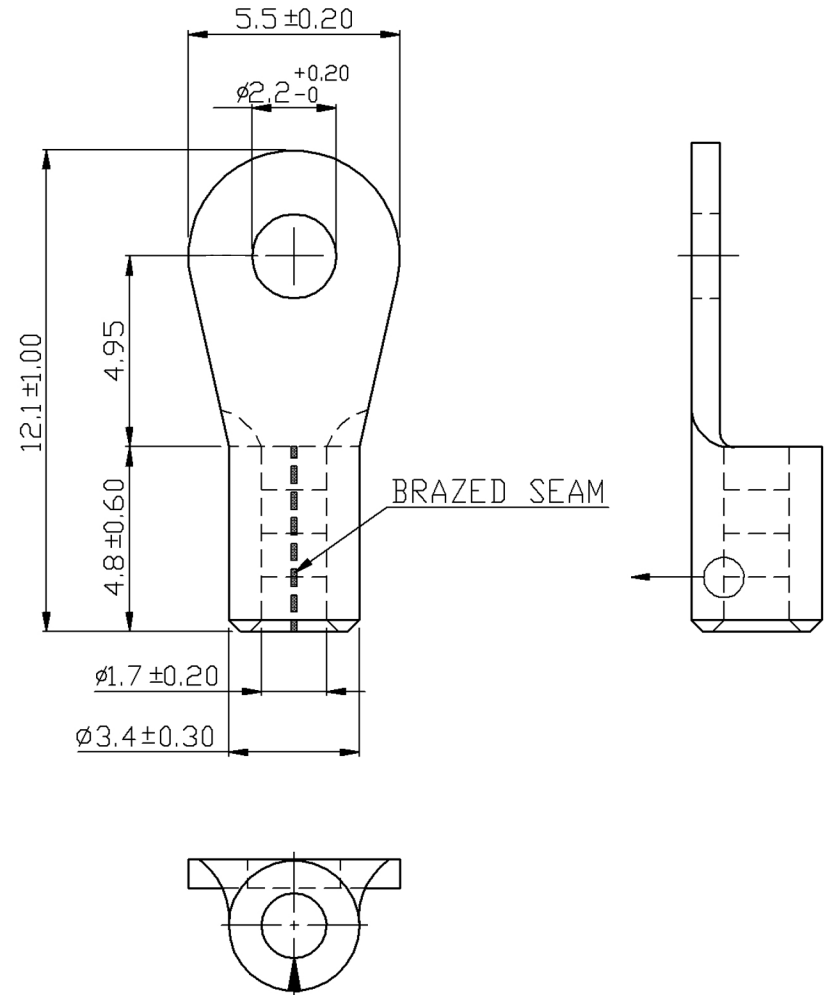
Standard (Metric)

- 0.48" (12.1mm)
- 0.19" (4.95mm)
- 0.19" (4.8mm)
- 0.22" (5.5mm)
- 0.09" (2.2mm)
- 0.07" (1.7mm)
- 0.13" (3.4mm)

Tolerances

(Unless Otherwise Specified)

CATEGORY	Non Insulated Ring Terminal	SCALE	5/1
PART #	RNB1-2	SHEET	1-3
MATERIAL	Tin-Plated Copper	PAGE	10F2



FerrulesDirect