

Notes:

- Maximum Electric Current:

AWG	26	24	22
AMP	5.5	7	9
- Maximum Electric Rating: 105°C 600 Volts Max
- Insulation Material: Vinyl
- Insulation Color: Yellow
- Terminal Material: Copper
- Wire Range: 26-22 AWG (0.2-0.5mm²)
- Terminal Surface Treatment: Tin Plated
- Terminal Thickness: 0.50mm

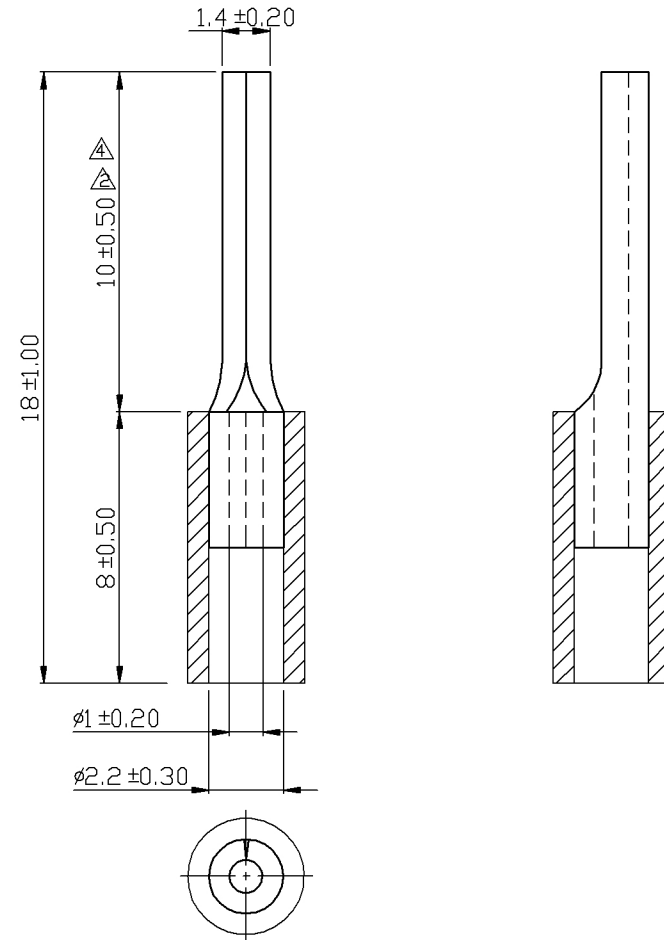
Standard (Metric)

- 0.71" (18mm)
- 0.39" (10mm)
- 0.31" (8mm)
- 0.06" (1.4mm)
- 0.04" (1mm)
- 0.09" (2.2mm)

Tolerances

(Unless Otherwise Specified)

CATEGORY	Vinyl Insulated Pin Terminals	SCALE	5/1
PART #	PTV05-9	SHEET	1-4
MATERIAL	Tin-Plated Copper	PAGE	10F1



FerrulesDirect