

Notes:

1. Maximum Electrical Current:

AWG	4			
AMP	125			
2. Maximum Electrical Rating: 75° 600 Volts
3. Terminal Material: Copper
4. Wire Range: 4 AWG (22mm²)
5. Terminal Surface Treatment: Tin Plated
6. Seamless Tubing
7. Thickness: 1.75mm

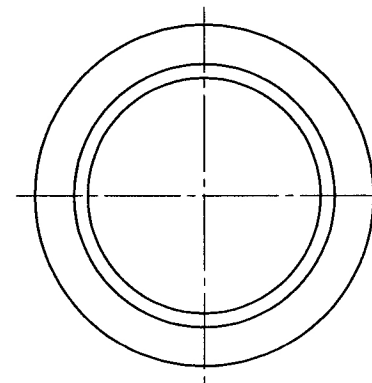
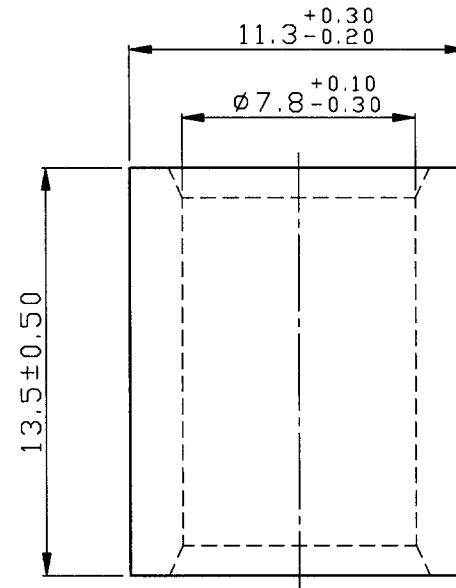
Standard (Metric)

0.53" (13.5mm)
 0.44" (11.3mm)
 0.31" (7.8mm)

Tolerances

(Unless Otherwise Specified)

0 > 6mm ± 0.20
 6 > 18mm ± 0.30
 18 > 30mm ± 0.40
 30 > 75mm ± 0.50



CATEGORY	Non Insulated Parallel Connector	SCALE	4/1
PART #	PNT22	SHEET	1-0
MATERIAL	Tin Plated Copper	PAGE	10F1



FerrulesDirect