

Notes:

1. Wire Range: 16 AWG (1.50mm²)
2. Maximum Electric Current: 18A
3. Maximum Electric Rating: Up to 2000V
4. Terminal Material: Untinned Copper
5. Maximum Operating Temperature: 1984°F (1085°C)

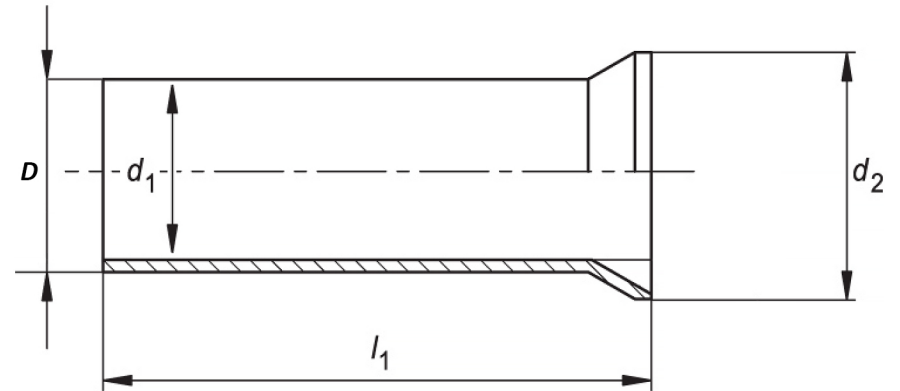
Standard (Metric)

L1: 0.393 (10.0mm)
D: 0.078 (2.0mm)
D1: 0.066 (1.7mm)
D2: 0.098 (2.5mm)

Tolerances

(Unless Otherwise Specified)

L1: ± 0.4 mm
D: +0.3mm
D1: +3.0mm
D2: -0.2mm



CATEGORY

High Temperature
Wire Ferrule

SCALE

4/1

PART #

NT15010

SHEET

1-1

MATERIAL

Untinned Copper

PAGE



FerrulesDirect

