

Notes:

- Maximum Electric Current:

AWG	16	14		
AMP	10	15		
- Maximum Electrical Rating: 105° 600 Volts Max.
- Insulation Material: Vinyl
- Insulation Color: Blue
- Terminal Material: Brass
- Wire Range: 16-14 AWG (1.5-2.5mm²)
- Terminal Surface Treatment: Tin Plated
- Nema Tab: 0.032" x 0.250" (0.8mm x 6.35mm)
- Double Crimp
- Terminal Thickness: 0.40mm

Standard (Metric)

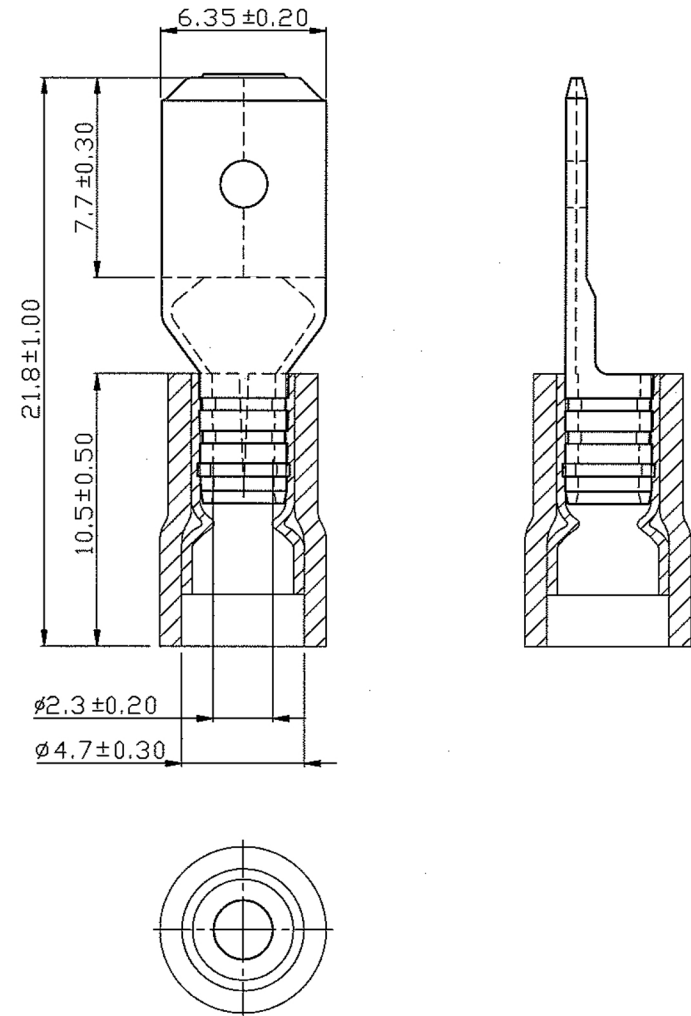
- 0.86" (21.8mm)
- 0.41" (10.5mm)
- 0.30" (7.7mm)
- 0.25" (6.35mm)
- 0.09" (2.3mm)
- 0.19" (4.7mm)

Tolerances

(Unless Otherwise Specified)

- 0 > 6mm ± 0.20
- 6 > 18mm ± 0.30
- 18 > 30mm ± 0.40
- 30 > 75mm ± 0.50

CATEGORY	Male Vinyl Insulated Double Crimp Disconnects	SCALE	4/1
PART #	MDD2-250	SHEET	1-1
MATERIAL	Tin-Plated Brass	PAGE	10F2



FerrulesDirect