

Notes:

- Maximum Electric Current:

AWG	22	20	18	16
AMP	9	12	17	18
- Maximum Electric Rating: 105°C 600 Volts Max
- Insulation Material: Vinyl
- Insulation Color: Red
- Terminal Material: Copper
- Wire Range: 22-16 AWG (0.5-1.5mm²)
- Terminal Surface Treatment: Tin Plated
- Terminal Thickness: 0.75mm

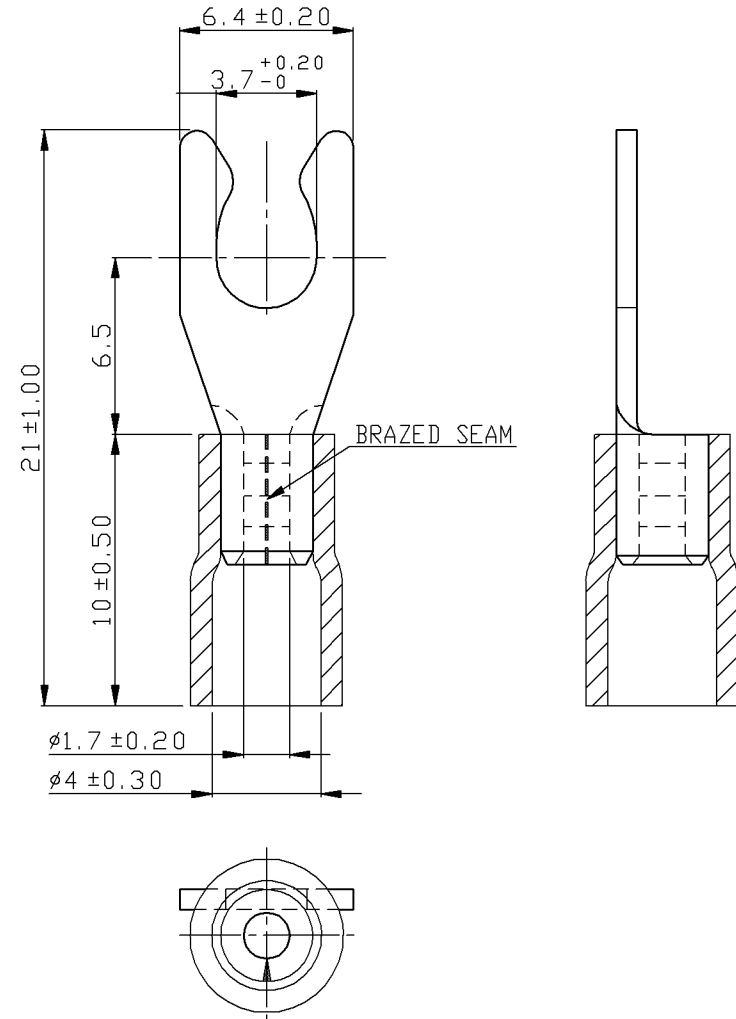
Standard (Metric)

- 0.83" (21mm)
- 0.26" (6.5mm)
- 0.39" (10mm)
- 0.25" (6.4mm)
- 0.15" (3.7mm)
- 0.07" (1.7mm)
- 0.16" (4mm)

Tolerances

(Unless Otherwise Specified)

CATEGORY	Vinyl Insulated Locking Spade Terminals	SCALE	4/1
PART #	LSVB1-37	SHEET	1-3
MATERIAL	Tin-Plated Copper	PAGE	10F2



FerrulesDirect