

**Notes:**

- Maximum Electric Current: 

|     |    |    |  |
|-----|----|----|--|
| AWG | 16 | 14 |  |
| AMP | 18 | 30 |  |
- Maximum Electric Rating: 105°C 600 Volts Max
- Insulation Material: Nylon
- Insulation Color: Blue
- Terminal Material: Copper
- Wire Range: 16-14 AWG (1.5-2.5mm<sup>2</sup>)
- Terminal Surface Treatment: Tin Plated
- Terminal Thickness: 0.80mm

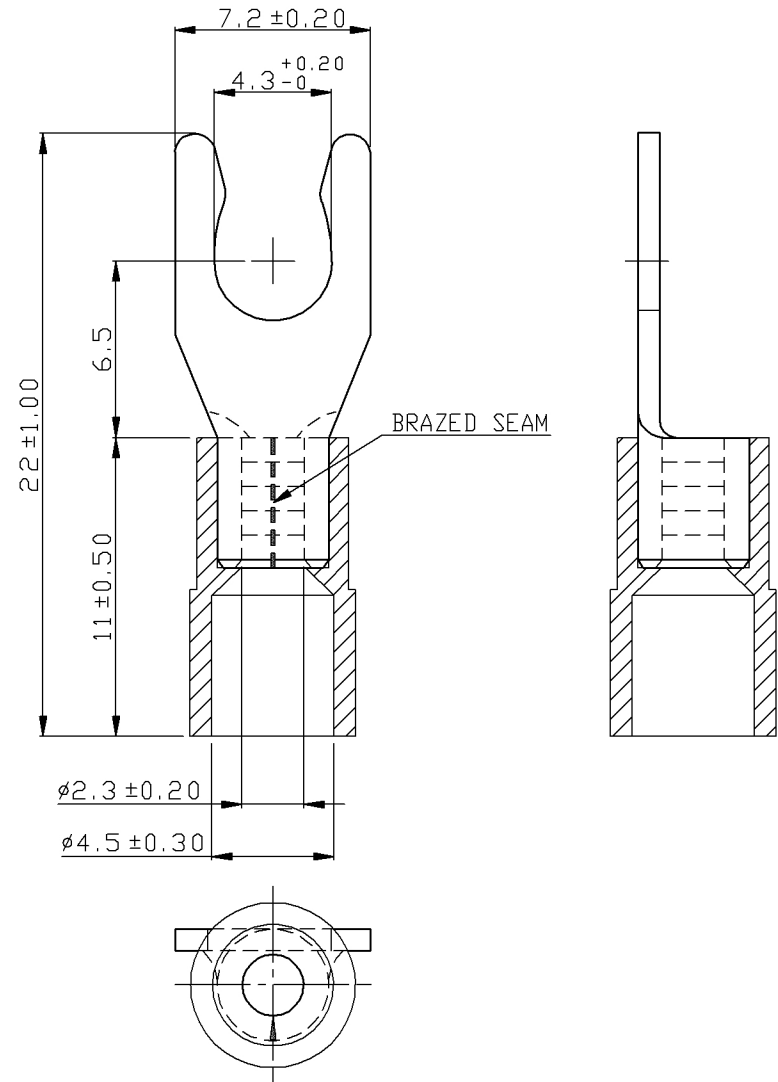
**Standard (Metric)**

- 0.87" (22mm)
- 0.26" (6.5mm)
- 0.43" (11mm)
- 0.28" (7.2mm)
- 0.17" (4.3mm)
- 0.09" (2.3mm)
- 0.18" (4.5mm)

**Tolerances**

(Unless Otherwise Specified)

|                 |   |              |      |
|-----------------|---|--------------|------|
| <b>CATEGORY</b> | Nylon Insulated Locking Spade Terminals | <b>SCALE</b> | 4/1  |
| <b>PART #</b>   | LSNYB2-4                                | <b>SHEET</b> | 1-2  |
| <b>MATERIAL</b> | Tin-Plated Copper                       | <b>PAGE</b>  | 10F2 |



**FerrulesDirect**