

**Notes:**

- Maximum Electric Current: 

AWG	12	10	
AMP	35	50	
- Maximum Electric Rating: 75°C 2000 Volts Max
- Terminal Material: Copper
- Wire Range: 12-10 AWG (4-6mm<sup>2</sup>)
- Terminal Surface Treatment: Tin Plated
- Terminal Thickness: 1.00mm

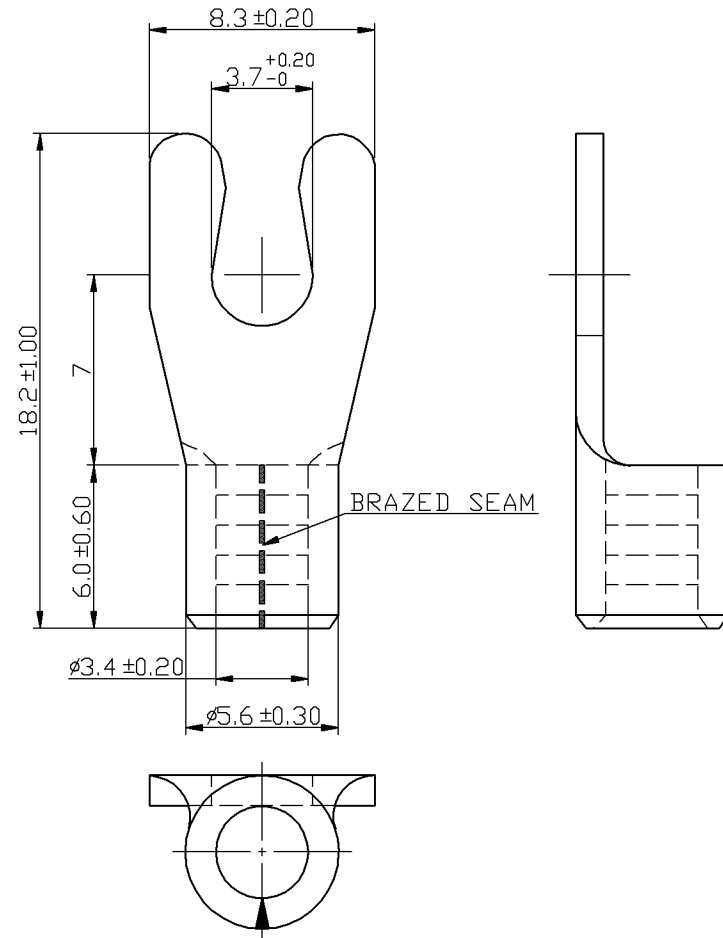
**Standard (Metric)**

- 0.72" (18.2mm)
- 0.28" (7mm)
- 0.24" (6mm)
- 0.33" (8.3mm)
- 0.15" (3.7mm)
- 0.13" (3.4mm)
- 0.22" (5.6mm)

**Tolerances**

(Unless Otherwise Specified)

<b>CATEGORY</b>	Non Insulated Locking Spade Terminals	<b>SCALE</b>	4/1
<b>PART #</b>	LSNB5-37	<b>SHEET</b>	1-2
<b>MATERIAL</b>	Tin-Plated Copper	<b>PAGE</b>	10F2



**FerrulesDirect**