

Notes:

1. Maximum Ampere Rating: 30 AMPS
2. Maximum Voltage Rating: 35KV
3. Color: Yellow
4. Terminal Material: Copper
5. Wire Size: 10 AWG (6.00mm²)
6. Stud Size: #10 Stud
7. Terminal Surface Treatment: Tin Plated

Standard (Metric)

Shown in Drawing

Tolerances

(Unless Otherwise Specified)

Up to +5% mm

CATEGORY

One Hole Long Barrel
Compression Lugs

SCALE

4/1

PART

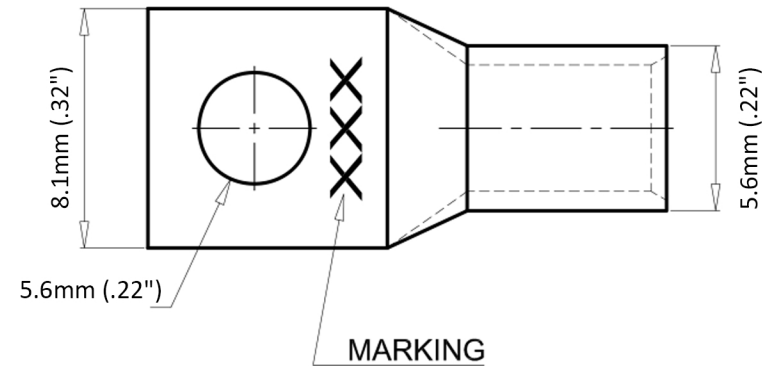
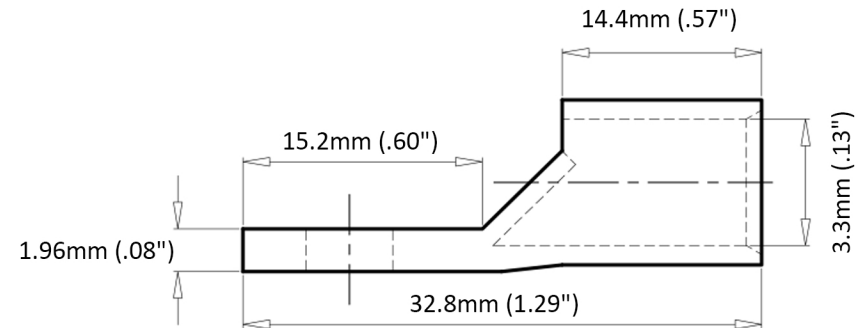
LB1010

SHEET

MATERIAL

Tin-Plated Copper

PAGE



FerrulesDirect