

**Notes:**

1. Maximum Electric Current: 

AWG	12	10	
AMP	35	50	
2. Maximum Electric Rating: 105°C 600 Volts Max
3. Insulation Material: Vinyl
4. Insulation Color: Yellow
5. Terminal Material: Copper
6. Wire Range: 12-10 AWG (4-6mm<sup>2</sup>)
7. Terminal Surface Treatment: Tin Plated
8. Terminal Thickness: 1.00mm

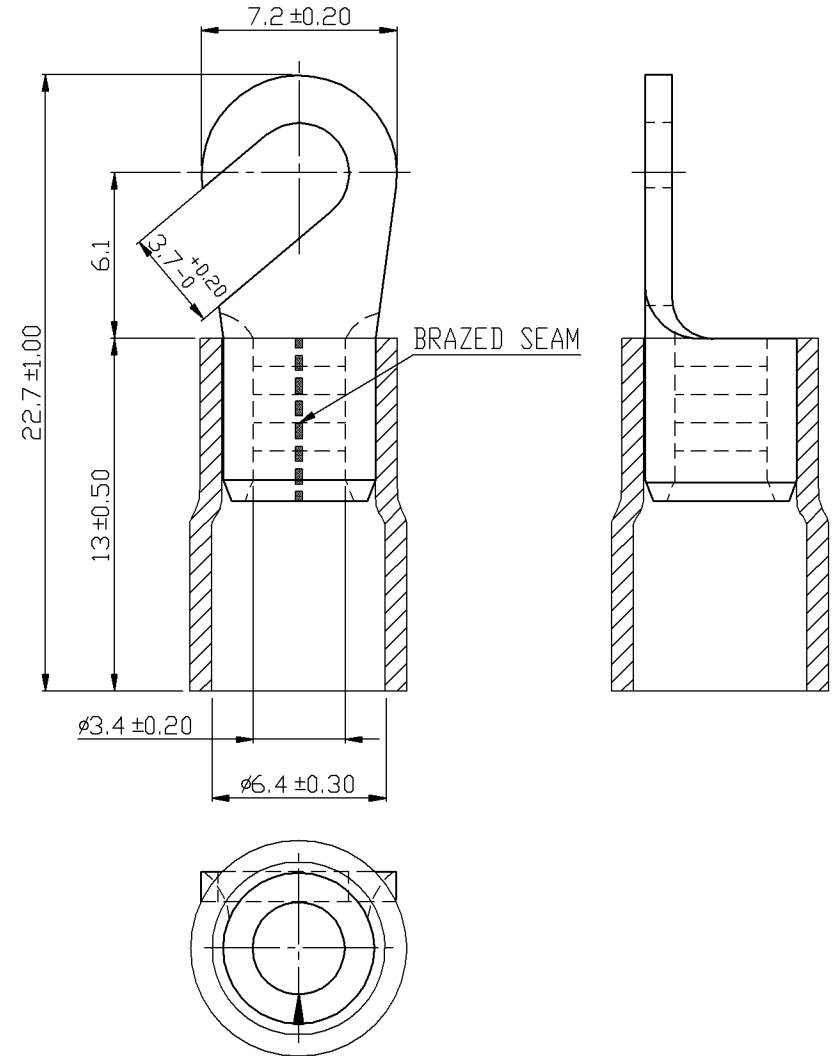
**Standard (Metric)**

- 0.89" (22.7mm)
- 0.24" (6.1mm)
- 0.51" (13mm)
- 0.28" (7.2mm)
- 0.15" (3.7mm)
- 0.13" (3.4mm)
- 0.25" (6.4mm)

**Tolerances**

(Unless Otherwise Specified)

<b>CATEGORY</b>	Vinyl Insulated Hook Terminals	<b>SCALE</b>	4/1
<b>PART #</b>	HVB5-37	<b>SHEET</b>	1-3
<b>MATERIAL</b>	Tin-Plated Copper	<b>PAGE</b>	10F2



**FerrulesDirect**