

**Notes:**

- Maximum Electrical Current: 

AWG	12	10	
AMP	35	50	
- Maximum Electrical Rating: 105° 600 Volts
- Terminal Material: Copper
- Wire Range: 12-10 AWG (4-6mm<sup>2</sup>)
- Thickness: 1.0mm
- Terminal Surface Treatment: Tin Plated
- 1/4 Stud Size

**Standard (Metric)**

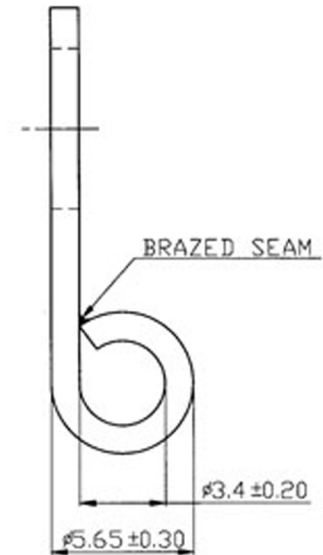
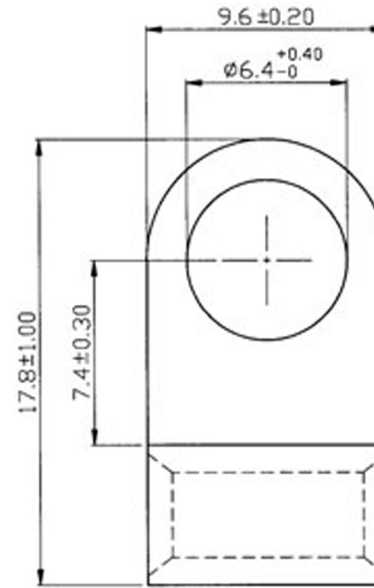
- 0.70" (17.8mm)
- 0.29" (7.4mm)
- 0.38" (9.6mm)
- 0.25" (6.4mm)
- 0.13" (3.4mm)
- 0.22" (5.65mm)

**Tolerances**

(Unless Otherwise Specified)

- 0 > 6mm ± 0.20
- 6 > 18mm ± 0.30
- 18 > 30mm ± 0.40
- 30 > 75mm ± 0.50

<b>CATEGORY</b>	Non Insulated Flag Terminal - Ring Tongue	<b>SCALE</b>	4/1
<b>PART #</b>	FGNB5-6	<b>SHEET</b>	1-1
<b>MATERIAL</b>	Tin Plated Copper	<b>PAGE</b>	10F2



**FerrulesDirect**