

NOTE:

1. MAXIMUM ELECTRIC CURRENT : $\frac{\text{A.W.G.} \mid 4}{\text{AMP.} \mid 125}$
2. WIRE RANGE : 4A.W.G.(22 mm²)
3. SURFACE TREATMENT : TIN PLATED
4. THICKNESS : 1.7 mm

Standard (Metric)

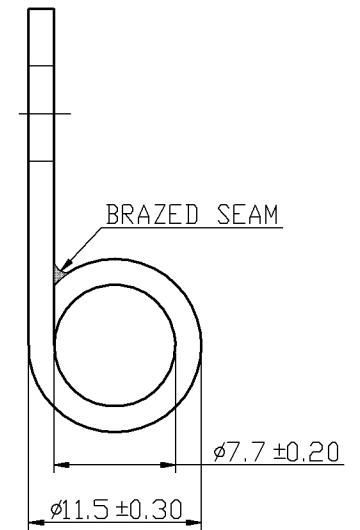
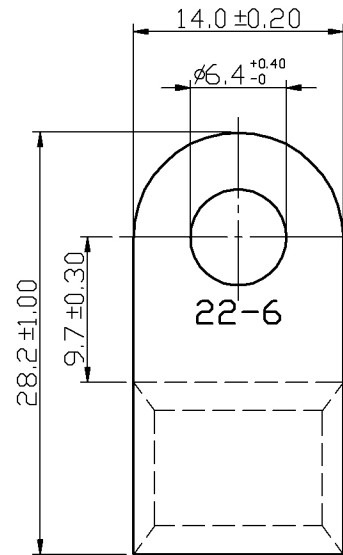
- 1.11 (28.2mm)
- 0.38 (9.7mm)
- 0.55 (14.0mm)
- 0.25 (6.4mm)
- 0.45 (11.5mm)
- 0.30 (7.7mm)

Tolerances

(Unless Otherwise Specified)

- 0 > 6mm ± 0.20
- 6 > 18mm ± 0.30
- 18 > 30mm ± 0.40
- 30 > 75mm ± 0.50

CATEGORY	Non-Insulated Flag Terminals	SCALE	2/1
PART #	FGNB22-6	SHEET	1-1
MATERIAL	Copper	PAGE	



FerrulesDirect