

Notes:

- Maximum Electric Current:

AWG	16	14	
AMP	18	30	
- Terminal Material: Copper
- Wire Range: 16-14 AWG (1.5-2.5mm²)
- Terminal Surface Treatment: Tin Plated
- Terminal Thickness: 0.80mm

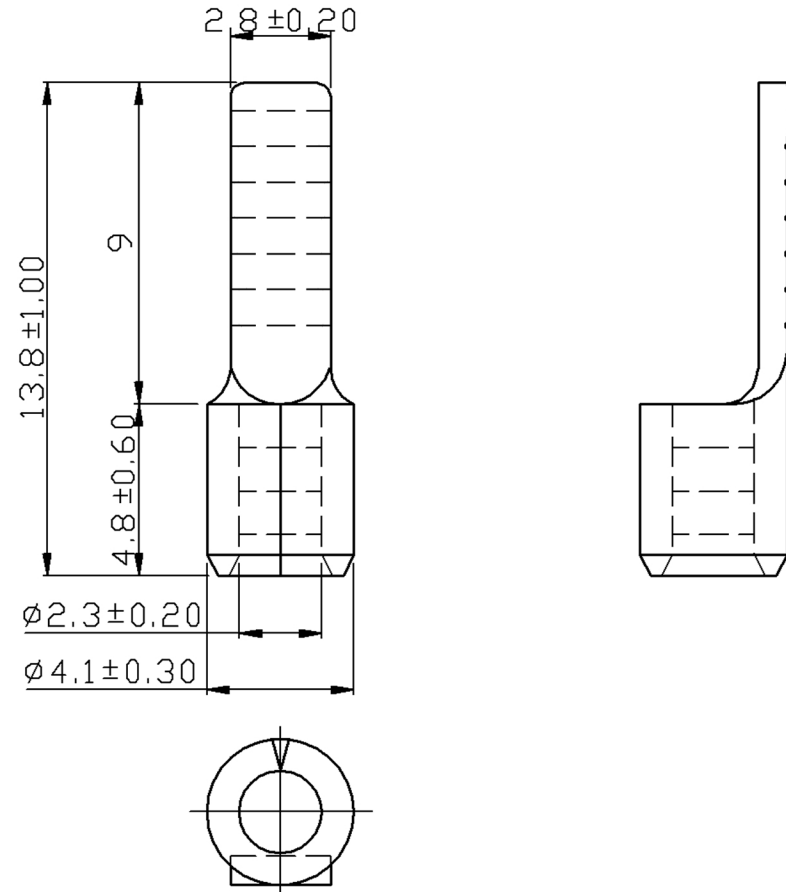
Standard (Metric)

- 0.54" (13.8mm)
- 0.35" (9mm)
- 0.19" (4.8mm)
- 0.11" (2.8mm)
- 0.09" (2.3mm)
- 0.16" (4.1mm)

Tolerances

(Unless Otherwise Specified)

CATEGORY	Uninsulated Flat Blade Terminal	SCALE	4/1
PART #	FBU-209	SHEET	1-3
MATERIAL	Tin-Plated Copper	PAGE	10F2



FerrulesDirect