

Notes:

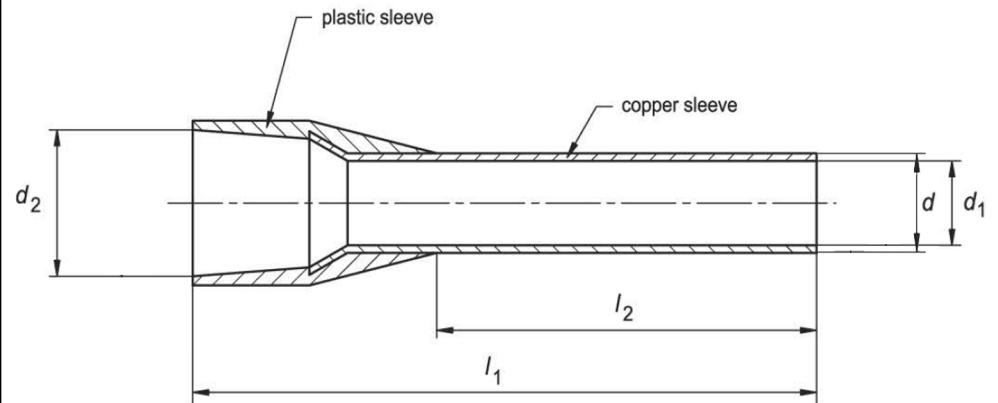
1. Maximum Electric Current: 95A
2. Maximum Electric Rating: 105°C 600 Volts Max
3. Insulation Material: Nylon
4. Insulation Color: Green
5. Terminal Material: Copper
6. Wire Range: 6 AWG (16.00mm²)

Standard (Metric)

L1: 1.10 (28.0mm)
L2: 0.71 (18.0mm)
D: 0.24 (6.2mm)
D1: 0.29 (5.8mm)
D2: 0.35 (8.8mm)

Tolerances

(Unless Otherwise Specified)



CATEGORY	Insulated Wire Ferrule	SCALE	4/1
PART #	AW160018	SHEET	1-1
MATERIAL	Tin-Plated Copper	PAGE	

