

## Notes:

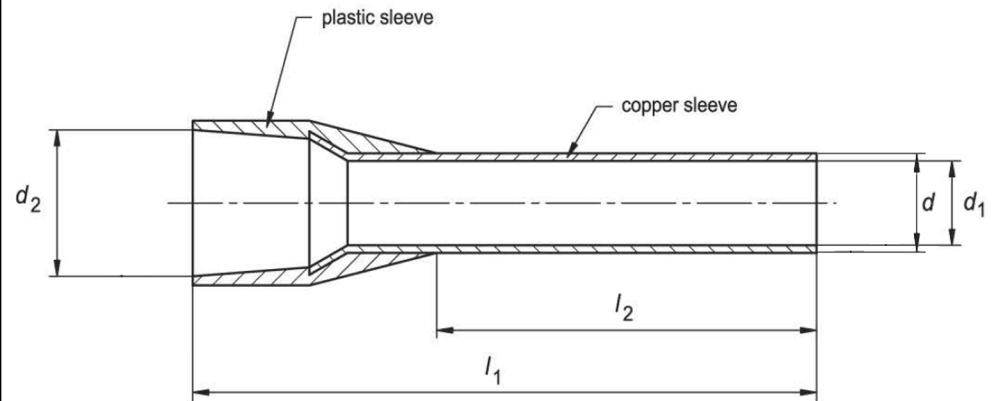
1. Maximum Electric Current: 360A
2. Maximum Electric Rating: 105°C 600 Volts Max
3. Insulation Material: Nylon
4. Insulation Color: Blue
5. Terminal Material: Copper
6. Wire Range: 4/0 AWG (120.00mm<sup>2</sup>)

## Standard (Metric)

L1: 1.87 (47.6mm)  
L2: 1.06 (27.0mm)  
D: 0.70 (17.7mm)  
D1: 0.66 (16.7mm)  
D2: 0.80 (20.3mm)

## Tolerances

(Unless Otherwise Specified)



CATEGORY

Insulated Wire Ferrule

SCALE

4/1

PART #

AD1200027

SHEET

1-1

MATERIAL

Tin-Plated Copper

PAGE



FerrulesDirect

