

## Notes:

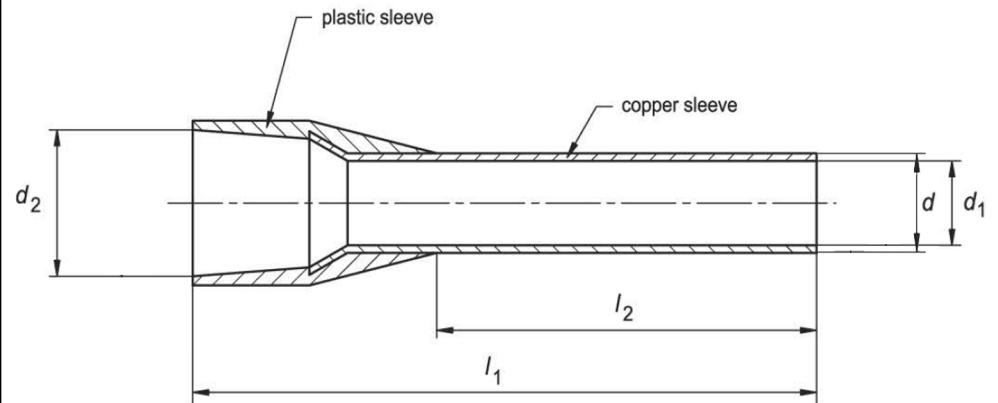
1. Maximum Electric Current: 18A
2. Maximum Electric Rating: 105°C 600 Volts Max
3. Insulation Material: Nylon
4. Insulation Color: Red
5. Terminal Material: Copper
6. Wire Range: 18 AWG (1.00mm<sup>2</sup>)

## Standard (Metric)

L1: 0.47 (12.0mm)  
L2: 0.32 (8.0mm)  
D: 0.067 (1.7mm)  
D1: 0.055 (1.4mm)  
D2: 0.13 (3.3mm)

## Tolerances

(Unless Otherwise Specified)



### CATEGORY

Insulated Wire Ferrule

### SCALE

4/1

### PART #

AD10008-L

### SHEET

1-1

### MATERIAL

Tin-Plated Copper

### PAGE



**FerrulesDirect**