

Notes:

1. Maximum Amp Rating: 50 AMP
2. Maximum Voltage Rating: 600V
3. Color: Yellow
4. Terminal Material: Copper
5. Wire Size: 12-10 AWG
6. Stud Size: #8 Stud
7. Surface Treatment: Tin Plating

Metric (Standard)

L: 16.5mm (0.649")
 B: 9.5mm (0.374")
 E: 13.0mm (0.511")
 D: 6.4mm (0.251")
 D1: 3.4mm (0.133")
 D2: 4.3mm (0.169")

Tolerances

(Unless Otherwise Specified)

Up to +/-5%

CATEGORY

90 Degree Nylon
Insulated Ring Terminals

SCALE

4/1

PART #

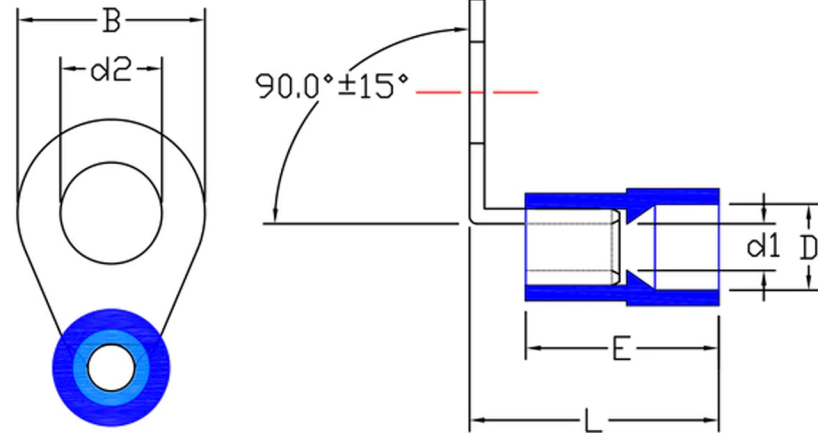
90D5-4LA

SHEET

MATERIAL

Tin-Plated Copper

PAGE



FerrulesDirect

